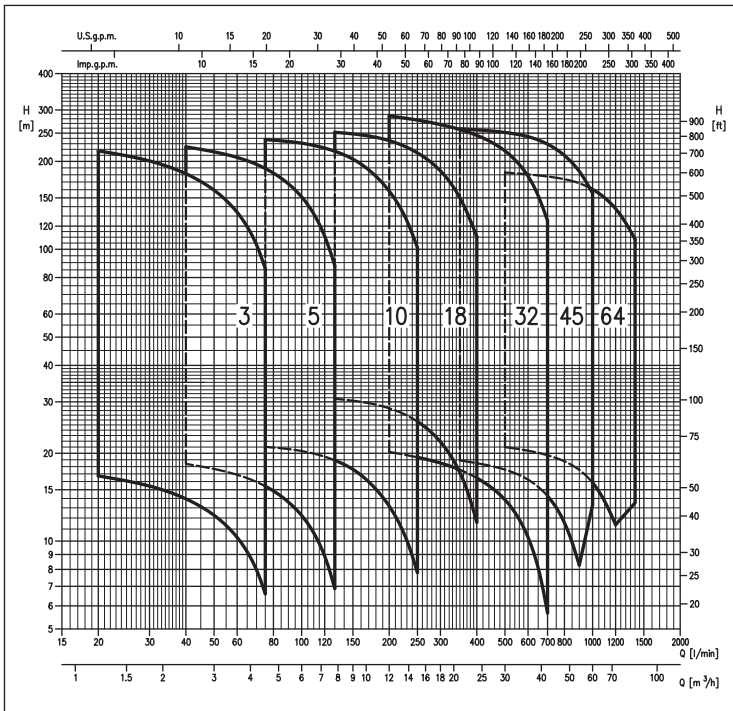


VERTICAL MULTISTAGE ELECTRIC PUMPS

in cast iron, AISI 304, AISI 316



PERFORMANCE RANGE at 2900 min⁻¹ (according to ISO 9906 Attachment A)



Vertical multistage centrifugal electric pumps available in various versions: cast iron (EVMG), AISI 304 stainless steel (EVM), AISI 316 stainless steel (EVML).

APPLICATIONS

- Civil, industrial, agricultural and fire-fighting pressure boosting systems
- Primary water treatment plants, reverse osmosis, seepage, etc.
- Moving moderately aggressive fluids
- Boiler loading
- Washing, heating systems and air-conditioning

TECHNICAL DETAILS

- Reliable, strong, silent and easy to service
- The EVM pumps can be coupled with standard EIC motors
- They offer state-of-the-art technical solutions
- The EVM vertical multistage pumps (hydraulic parts) are in compliance with the 94/9/CE Directive on ATEX products (they belong to Group II, Category 2)
- Oval counter-flanges, "N" version, already included
- Round counter-flanges, "F" version, as accessories

TECHNICAL DATA

- Maximum working pressure: 16 bar, 25 bar, 30 bar for EVM32 - EVM45 only
- Temperature of the liquid: from -15°C to +120°C; from -15°C to +85°C (for EVMW)
- Self-ventilated 2 pole asynchronous motor
- Class of insulation F
- IP55 Protection rating
- Single phase voltage 230V ± 10% 50Hz (up to 2.2 kW), three phase voltage 230/400V ±10% 50Hz (up to 4 kW included), three phase voltage 400/690V ±10% (5.5 kW and above)

MATERIALS

- Lower pump body, external casing, disco seal housing disc, impellers, nozzles, shaft casing, joint cover and small elements in contact with the liquid in AISI 304 (EVM), AISI 316 (EVML) ["EVMG" version: body in cast iron and hydraulic parts in AISI 304]
- Tie-rods and small elements not in contact with the liquid in galvanised steel
- Shaft in AISI 316
- Bearings in contact with the liquid in tungsten carbide
- Motor support and base in cast iron
- Mechanical seal in SiC/Carbon/FPM (models 3-5-10-18)
- Mechanical seal with cartridge as per standard in SiC/Carbon/FPM (models 32-45-64)
(F= round counter-flanges; N= oval counter-flanges)

SPECIAL VERSIONS

- Version with WRAS approval (EVMW 3-5-10-18)
- ATEX version for complete electric pump
- Also available with efficiency 1 motor

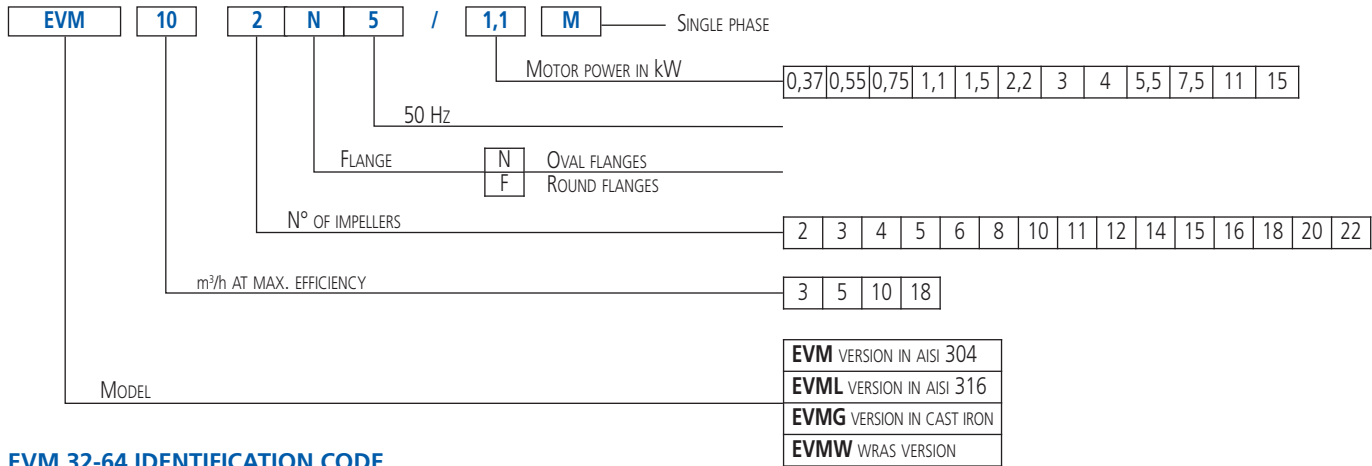
ACCESSORIES (on request)

- Round counter-flanges for "F" version available in:
 - galvanised/EPDM
 - AISI 304/EPDM
 - AISI 316/Viton

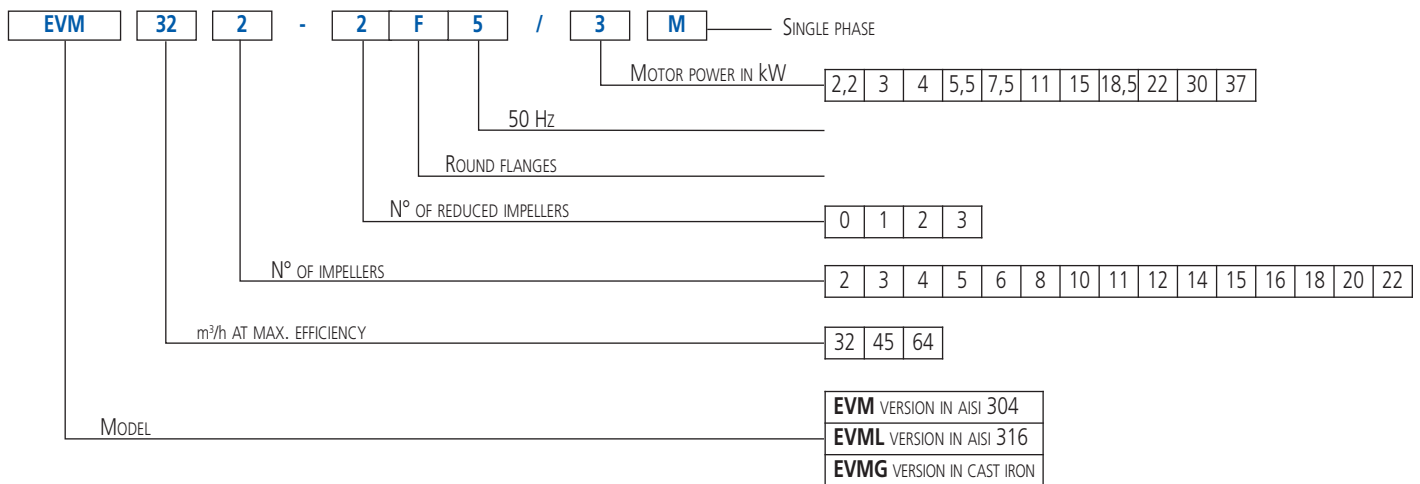
VERTICAL MULTISTAGE ELECTRIC PUMPS

in cast iron, AISI 304, AISI 316

EVM 3-18 IDENTIFICATION CODE



EVM 32-64 IDENTIFICATION CODE



MECHANICAL SEAL WITH CARTRIDGE

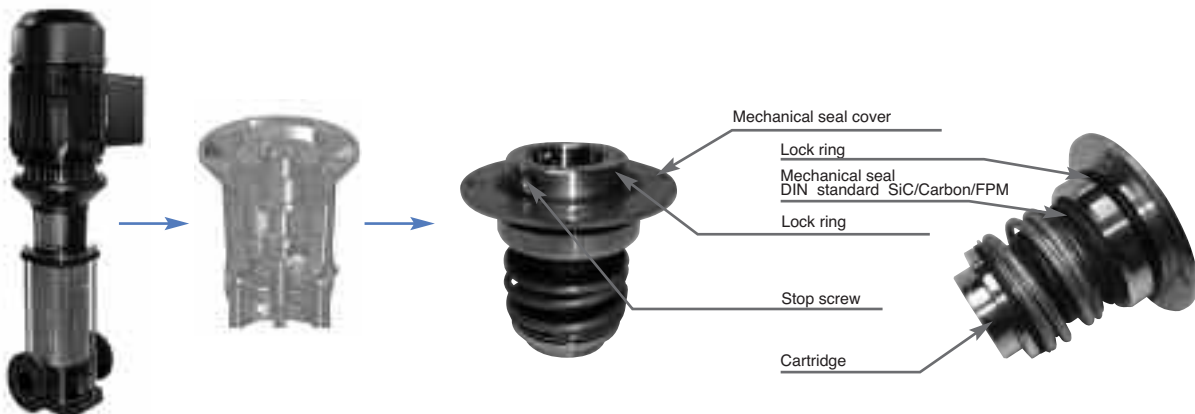
The EVM 32-45-64 pumps house the mechanical seal with cartridge as per standard.

All of the components of the mechanical seal constitute just one part on one shaft sleeve. The mechanical seal is ready to be installed between the pump shaft and the motor shaft.

The benefits of this type of seal are:

- Easy to install
- Safety and easy to use

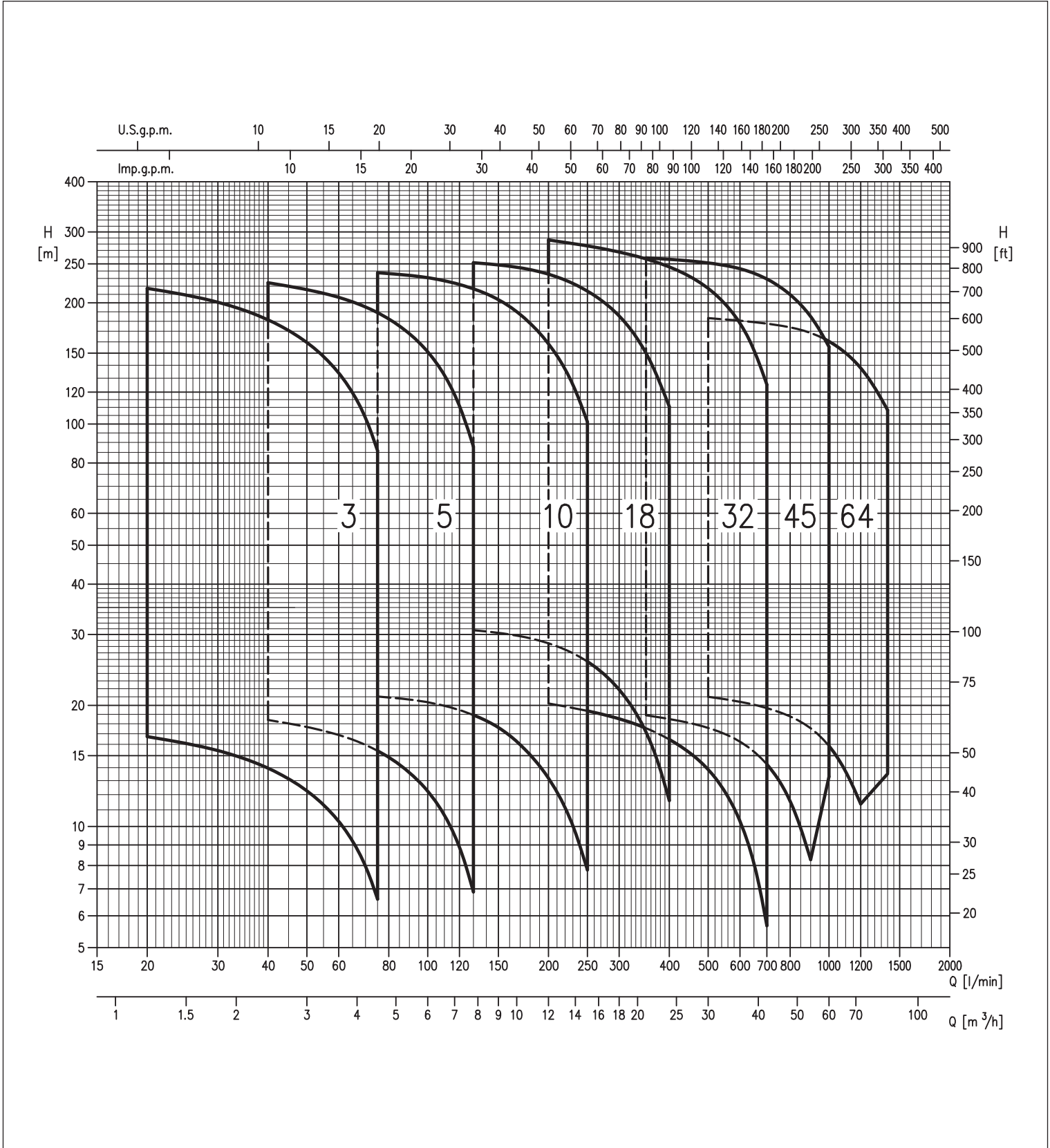
We are at your disposal to evaluate all demands and requirements in order to find the best solution for your plants and applications.



VERTICAL MULTISTAGE ELECTRIC PUMPS

in cast iron, AISI 304, AISI 316

PERFORMANCE RANGE a 2900 min⁻¹ (according to ISO 9906 Attachment A)



VERTICAL MULTISTAGE ELECTRIC PUMPS

in cast iron, AISI 304, AISI 316

EVM 3-5-10-18 PERFORMANCE TABLE

Model	P ₂		Mec Motor	Max. working pressure [MPa]	Q=Flow rate												Weight [kg]				
	[HP]	[kW]			l/min	20	40	60	75	100	130	150	200	250	300	350	400	Pump	Pump + motor		
					m ³ /h	1,2	2,4	3,6	4,5	6	7,8	9	12	15	18	21	24	[2]	[1]		
						H=Head [m]															
EVM 3 2N5/0.37 (M)	0,5	0,37	71	1,6	16,7	14,0	10,3	6,6	-	-	-	-	-	-	-	-	-	11,0	17,0	17,0	
EVM 3 3N5/0.37 (M)	0,5	0,37	71	1,6	25,1	20,9	15,5	9,9	-	-	-	-	-	-	-	-	-	12,0	17,0	17,0	
EVM 3 4N5/0.55 (M)	0,75	0,55	71	1,6	33,4	27,9	20,6	13,2	-	-	-	-	-	-	-	-	-	12,0	19,0	19,0	
EVM 3 5N5/0.55 (M)	0,75	0,55	71	1,6	42,0	34,9	25,8	16,5	-	-	-	-	-	-	-	-	-	13,0	20,0	19,0	
EVM 3 6N5/0.75 (M)	1	0,75	80	1,6	50,0	42,0	30,9	19,8	-	-	-	-	-	-	-	-	-	14,0	25,0	22,0	
EVM 3 7N5/0.75 (M)	1	0,75	80	1,6	58,5	49,0	36,1	23,1	-	-	-	-	-	-	-	-	-	14,0	25,0	22,0	
EVM 3 9N5/1.1 (M)	1,5	1,1	80	1,6	75,0	63,0	46,5	29,7	-	-	-	-	-	-	-	-	-	15,0	27,0	24,0	
EVM 3 11N5/1.1 (M)	1,5	1,1	80	1,6	92,0	77,0	56,5	36,3	-	-	-	-	-	-	-	-	-	16,0	28,0	26,0	
EVM 3 13N5/1.5 (M)	2	1,5	90S	1,6	109,0	90,5	67,0	43,0	-	-	-	-	-	-	-	-	-	18,0	35,0	30,0	
EVM 3 15N5/1.5 (M)	2	1,5	90S	1,6	125,0	105,0	77,5	49,5	-	-	-	-	-	-	-	-	-	19,0	37,0	32,0	
EVM 3 18F5/2.2 (M)	3	2,2	90L	2,5	151,0	126,0	92,5	59,5	-	-	-	-	-	-	-	-	-	25,0	44,0	41,0	
EVM 3 22F5/2.2 (M)	3	2,2	90L	2,5	184,0	154,0	113,0	72,5	-	-	-	-	-	-	-	-	-	27,0	47,0	43,0	
EVM 3 26F5/3.0	4	3	100	2,5	217,0	182,0	134,0	86,0	-	-	-	-	-	-	-	-	-	31,0	-	50,0	
EVM 5 2N5/0.37 (M)	0,5	0,37	71	1,6	-	18,4	16,9	15,4	12,2	6,9	-	-	-	-	-	-	-	12,0	17,0	17,0	
EVM 5 3N5/0.55 (M)	0,75	0,55	71	1,6	-	27,6	25,3	23,1	18,4	10,3	-	-	-	-	-	-	-	12,0	19,0	18,0	
EVM 5 4N5/0.75 (M)	1	0,75	80	1,6	-	36,8	33,8	30,8	24,5	13,8	-	-	-	-	-	-	-	13,0	24,0	21,0	
EVM 5 5N5/1.1 (M)	1,5	1,1	80	1,6	-	46,0	42,0	38,6	30,6	17,2	-	-	-	-	-	-	-	14,0	25,0	23,0	
EVM 5 6N5/1.1 (M)	1,5	1,1	80	1,6	-	55,0	50,5	46,5	36,7	20,6	-	-	-	-	-	-	-	14,0	26,0	24,0	
EVM 5 7N5/1.5 (M)	2	1,5	90S	1,6	-	64,5	59,0	54,0	43,0	24,1	-	-	-	-	-	-	-	15,0	33,0	28,0	
EVM 5 8N5/1.5 (M)	2	1,5	90S	1,6	-	73,5	67,5	61,5	49,0	27,5	-	-	-	-	-	-	-	16,0	33,0	28,0	
EVM 5 10N5/2.2 (M)	3	2,2	90L	1,6	-	93,5	86,0	79,0	63,0	36,6	-	-	-	-	-	-	-	18,0	37,0	34,0	
EVM 5 11N5/2.2 (M)	3	2,2	90L	1,6	-	103,0	94,5	86,5	69,5	40,5	-	-	-	-	-	-	-	19,0	39,0	35,0	
EVM 5 12N5/2.2 (M)	3	2,2	90L	1,6	-	112,0	103,0	94,5	75,5	44,0	-	-	-	-	-	-	-	20,0	39,0	36,0	
EVM 5 14N5/3.0	4	3	100	1,6	-	131,0	120,0	110,0	88,0	51,0	-	-	-	-	-	-	-	22,0	-	41,0	
EVM 5 16N5/3.0	4	3	100	1,6	-	150,0	138,0	126,0	101,0	58,5	-	-	-	-	-	-	-	23,0	-	43,0	
EVM 5 18F5/4.0	5,5	4	112	2,5	-	168,0	155,0	142,0	113,0	66,0	-	-	-	-	-	-	-	29,0	-	56,0	
EVM 5 19F5/4.0	5,5	4	112	2,5	-	178,0	163,0	150,0	120,0	69,5	-	-	-	-	-	-	-	29,0	-	57,0	
EVM 5 22F5/4.0	5,5	4	112	2,5	-	206,0	189,0	173,0	139,0	80,5	-	-	-	-	-	-	-	31,0	-	59,0	
EVM 5 24F5/5.0	7,5	5,5	132S	2,5	-	224,0	206,0	189,0	151,0	88,0	-	-	-	-	-	-	-	35,0	-	67,0	
EVM 10 2N5/0.75 (M)	1	0,75	80	1,6	-	-	-	21,0	20,4	18,9	17,6	13,2	7,8	-	-	-	-	18,0	29,0	26,0	
EVM 10 3N5/1.1 (M)	1,5	1,1	80	1,6	-	-	-	31,6	30,5	28,4	26,4	19,8	11,7	-	-	-	-	20,0	31,0	29,0	
EVM 10 4N5/1.5 (M)	2	1,5	90S	1,6	-	-	-	42,0	40,5	37,8	35,2	26,4	15,6	-	-	-	-	22,0	40,0	35,0	
EVM 10 5N5/2.2 (M)	3	2,2	90L	1,6	-	-	-	52,5	51,0	47,5	44,0	33,0	19,5	-	-	-	-	23,0	42,0	39,0	
EVM 10 6N5/2.2 (M)	3	2,2	90L	1,6	-	-	-	63,0	61,0	57,0	53,0	39,5	23,4	-	-	-	-	24,0	44,0	40,0	
EVM 10 8N5/3.0	4	3	100	1,6	-	-	-	84,0	81,5	75,5	70,5	52,5	31,2	-	-	-	-	31,0	-	50,0	
EVM 10 10N5/4.0	5,5	4	112	1,6	-	-	-	105,0	102,0	94,5	88,0	66,0	39,0	-	-	-	-	32,0	-	59,0	
EVM 10 11N5/4.0	5,5	4	112	1,6	-	-	-	116,0	112,0	104,0	97,0	72,5	43,0	-	-	-	-	34,0	-	61,0	
EVM 10 12N5/5.5	7,5	5,5	132S	1,6	-	-	-	130,0	126,0	118,0	111,0	86,5	55,0	-	-	-	-	39,0	-	71,0	
EVM 10 14N5/5.5	7,5	5,5	132S	1,6	-	-	-	151,0	147,0	138,0	130,0	101,0	64,5	-	-	-	-	42,0	-	74,0	
EVM 10 15F5/5.5	7,5	5,5	132S	2,5	-	-	-	162,0	158,0	148,0	139,0	108,0	69,0	-	-	-	-	46,0	-	78,0	
EVM 10 16F5/7.5	10	7,5	132S	2,5	-	-	-	173,0	168,0	158,0	148,0	115,0	73,5	-	-	-	-	48,0	-	86,0	
EVM 10 18F5/7.5	10	7,5	132S	2,5	-	-	-	194,0	189,0	177,0	167,0	129,0	83,0	-	-	-	-	50,0	-	88,0	
EVM 10 20F5/7.5	10	7,5	132S	2,5	-	-	-	216,0	210,0	197,0	185,0	144,0	92,0	-	-	-	-	50,0	-	88,0	
EVM 10 22F5/11	15	11	160M	2,5	-	-	-	238,0	231,0	217,0	204,0	158,0	101,0	-	-	-	-	56,0	-	113,0	
EVM 18 2F5/2.2 (M)	3	2,2	90L	1,6	-	-	-	-	-	31,0	30,3	28,5	25,7	21,9	17,2	11,6	27,0	47,0	43,0		
EVM 18 3F5/3.0	4	3	100	1,6	-	-	-	-	-	46,0	45,5	43,0	38,6	32,8	25,7	17,4	29,0	29,0	48,0		
EVM 18 4F5/4.0	5,5	4	112	1,6	-	-	-	-	-	61,5	60,5	57,0	51,5	44,0	34,3	23,2	31,0	-	59,0		
EVM 18 5F5/5.5	7,5	5,5	132S	1,6	-	-	-	-	-	77,0	75,5	71,5	64,5	54,5	43,0	29,0	38,0	-	70,0		
EVM 18 6F5/5.5	7,5	5,5	132S	1,6	-	-	-	-	-	92,0	91,0	85,5	77,0	65,5	51,5	34,8	41,0	-	73,0		
EVM 18 7F5/7.5	10	7,5	132S	2,5	-	-	-	-	-	108,0	106,0	100,0	90,0	76,5	60,0	40,5	44,0	-	82,0		
EVM 18 8F5/7.5	10	7,5	132S	2,5	-	-	-	-	-	123,0	121,0	114,0	103,0	87,5	68,5	46,5	44,0	-	82,0		
EVM 18 10F5/11	15	11	160M	2,5	-	-	-	-	-	157,0	155,0	147,0	134,0	116,0	93,5	69,0	54,0	-	111,0		
EVM 18 12F5/11	15	11	160M	2,5	-	-	-	-	-	189,0	186,0	177,0	160,0	139,0	112,0	83,0	57,0	-	114,0		
EVM 18 14F5/15	20	15	160M	2,5	-	-	-	-	-	220,0	217,0	206,0	187,0	162,0	131,0	96,5	58,0	-	151,0		
EVM 18 15F5/15	20	15	160M	2,5	-	-	-	-	-	236,0	233,0	221,0	201,0	174,0	141,0	104,0	58,0	-	151,0		
EVM 18 16F5/15	20	15	160M	2,5	-	-	-	-	-	252,0	249,0	236,0	214,0	186,0	150,0	110,0	61,0	-	154,0		

1,6 MPa= 16 bar
2,5 MPa= 25 bar

[1]= Three-phase only
[2]= Single phase only

VERTICAL MULTISTAGE ELECTRIC PUMPS

in cast iron, AISI 304, AISI 316

EVM 32-45 PERFORMANCE TABLE

Model	P ₂		Mec Motor	Max. working pressure [MPa]	Q=Flow rate						Weight [kg]			
	[HP]	[kW]			l/min	200	350	500	600	700	900	1000	Pump	Pump + motor
					m ³ /h	12	21	30	36	42	54	60		
					H=Head [m]									
EVM 32 1-0F5/2.2	3	2,2	90L	1,6	20,2	17,5	13,9	10,3	5,7	-	-	-	56,0	72,0
EVM 32 2-2F5/3.0	4	3	100	1,6	34,6	29,7	21,2	14,2	-	-	-	-	58,0	77,0
EVM 32 2-0F5/4.0	5,5	4	112	1,6	40,5	36,0	29,5	23,2	14,9	-	-	-	58,0	85,0
EVM 32 3-3F5/5.5	7,5	5,5	132S	1,6	52,0	45,0	32,8	22,7	-	-	-	-	74,0	106,0
EVM 32 3-0F5/5.5	7,5	5,5	132S	1,6	61,0	54,5	45,0	36,1	24,1	-	-	-	74,0	106,0
EVM 32 4-3F5/7.5	10	7,5	132S	1,6	72,5	63,5	48,5	35,6	-	-	-	-	77,0	115,0
EVM 32 4-0F5/7.5	10	7,5	132S	1,6	81,5	73,0	61,0	49,0	33,3	-	-	-	77,0	115,0
EVM 32 5-3F5/11	15	11	160M	1,6	93,0	82,0	64,0	48,5	30,5	-	-	-	96,0	153,0
EVM 32 5-0F5/11	15	11	160M	1,6	102,0	91,5	76,5	62,0	42,5	-	-	-	96,0	153,0
EVM 32 6-3F5/11	15	11	160M	1,6	114,0	100,0	79,5	61,5	39,7	-	-	-	99,0	156,0
EVM 32 6-0F5/11	15	11	160M	1,6	123,0	110,0	92,0	75,0	51,5	-	-	-	99,0	156,0
EVM 32 7-3F5/15	20	15	160M	1,6	134,0	119,0	95,5	74,5	49,0	-	-	-	102,0	195,0
EVM 32 7-0F5/15	20	15	160M	1,6	143,0	128,0	108,0	87,5	61,0	-	-	-	102,0	195,0
EVM 32 8-3F5/15	20	15	160M	2,5	155,0	137,0	111,0	87,0	58,0	-	-	-	105,0	198,0
EVM 32 8-0F5/15	20	15	160M	2,5	164,0	147,0	123,0	101,0	70,0	-	-	-	105,0	198,0
EVM 32 9-3F5/18.5	25	18,5	160L	2,5	175,0	156,0	127,0	100,0	67,5	-	-	-	108,0	209,0
EVM 32 9-0F5/18.5	25	18,5	160L	2,5	184,0	165,0	139,0	114,0	79,5	-	-	-	108,0	209,0
EVM 32 10-3F5/18.5	25	18,5	160L	2,5	196,0	174,0	142,0	113,0	76,5	-	-	-	112,0	213,0
EVM 32 10-1F5/18.5	25	18,5	160L	2,5	202,0	180,0	151,0	122,0	84,5	-	-	-	112,0	213,0
EVM 32 11-3F5/22	30	22	180	2,5	216,0	193,0	158,0	126,0	85,5	-	-	-	116,0	246,0
EVM 32 11-0F5/22	30	22	180	2,5	225,0	202,0	170,0	139,0	97,5	-	-	-	116,0	246,0
EVM 32 12-3F5/22	30	22	180	2,5	237,0	211,0	174,0	139,0	95,0	-	-	-	119,0	249,0
EVM 32 12-1F5/22	30	22	180	3,0	243,0	217,0	182,0	148,0	103,0	-	-	-	119,0	249,0
EVM 32 13-3F5/30	40	30	200	3,0	257,0	229,0	189,0	152,0	104,0	-	-	-	129,0	301,0
EVM 32 13-0F5/30	40	30	200	3,0	266,0	239,0	202,0	165,0	116,0	-	-	-	129,0	301,0
EVM 32 14-3F5/30	40	30	200	3,0	278,0	248,0	205,0	165,0	113,0	-	-	-	133,0	305,0
EVM 32 14-0F5/30	40	30	200	3,0	287,0	257,0	217,0	178,0	125,0	-	-	-	133,0	305,0
EVM 45 1-1F5/3.0	4	3	100	1,6	-	18,9	17,6	16,3	14,3	8,3	-	-	71,0	90,0
EVM 45 1-0F5/4.0	5,5	4	112	1,6	-	25,6	24,6	23,5	21,8	16,7	13,3	-	73,0	100,0
EVM 45 2-2F5/5.5	7,5	5,5	132S	1,6	-	38,1	35,8	33,4	29,8	18,6	-	-	81,0	113,0
EVM 45 2-0F5/7.5	10	7,5	132S	1,6	-	51,5	50,0	48,0	45,0	35,4	29,1	-	81,0	119,0
EVM 45 3-2F5/11	15	11	160M	1,6	-	64,0	61,0	58,0	53,0	37,3	-	-	99,0	156,0
EVM 45 3-0F5/11	15	11	160M	1,6	-	77,5	75,0	72,5	68,0	54,0	45,0	-	99,0	156,0
EVM 45 4-2F5/15	20	15	160M	1,6	-	90,0	86,0	82,0	76,0	56,0	43,0	-	108,0	189,0
EVM 45 4-0F5/15	20	15	160M	1,6	-	103,0	100,0	96,5	91,0	73,0	60,5	-	108,0	189,0
EVM 45 5-2F5/18.5	25	18,5	160L	1,6	-	116,0	111,0	107,0	99,0	74,5	58,5	-	128,0	229,0
EVM 45 5-0F5/18.5	25	18,5	160L	1,6	-	129,0	125,0	121,0	114,0	91,5	76,5	-	128,0	229,0
EVM 45 6-2F5/22	30	22	180	1,6	-	142,0	137,0	131,0	122,0	93,5	74,5	-	133,0	263,0
EVM 45 6-0F5/22	30	22	180	1,6	-	155,0	151,0	146,0	137,0	110,0	92,5	-	133,0	263,0
EVM 45 7-2F5/30	40	30	200	2,5	-	168,0	162,0	155,0	145,0	112,0	90,5	-	139,0	311,0
EVM 45 7-0F5/30	40	30	200	2,5	-	181,0	176,0	170,0	160,0	129,0	108,0	-	139,0	311,0
EVM 45 8-2F5/30	40	30	200	2,5	-	194,0	187,0	180,0	168,0	131,0	106,0	-	146,0	318,0
EVM 45 8-0F5/30	40	30	200	2,5	-	207,0	201,0	194,0	183,0	148,0	124,0	-	146,0	318,0
EVM 45 9-2F5/30	40	30	200	2,5	-	219,0	212,0	204,0	191,0	150,0	122,0	-	151,0	323,0
EVM 45 9-0F5/37	50	37	200	2,5	-	233,0	226,0	219,0	206,0	166,0	140,0	-	151,0	341,0
EVM 45 10-2F5/37	50	37	200	3,0	-	245,0	237,0	229,0	214,0	168,0	138,0	-	156,0	346,0
EVM 45 10-0F5/37	50	37	200	3,0	-	259,0	251,0	243,0	229,0	185,0	156,0	-	156,0	346,0

1,6 MPa= 16 bar
2,5 MPa= 25 bar
3,0 MPa= 30 bar

VERTICAL MULTISTAGE ELECTRIC PUMPS

in cast iron, AISI 304, AISI 316

PERFORMANCE TABLE EVM 64

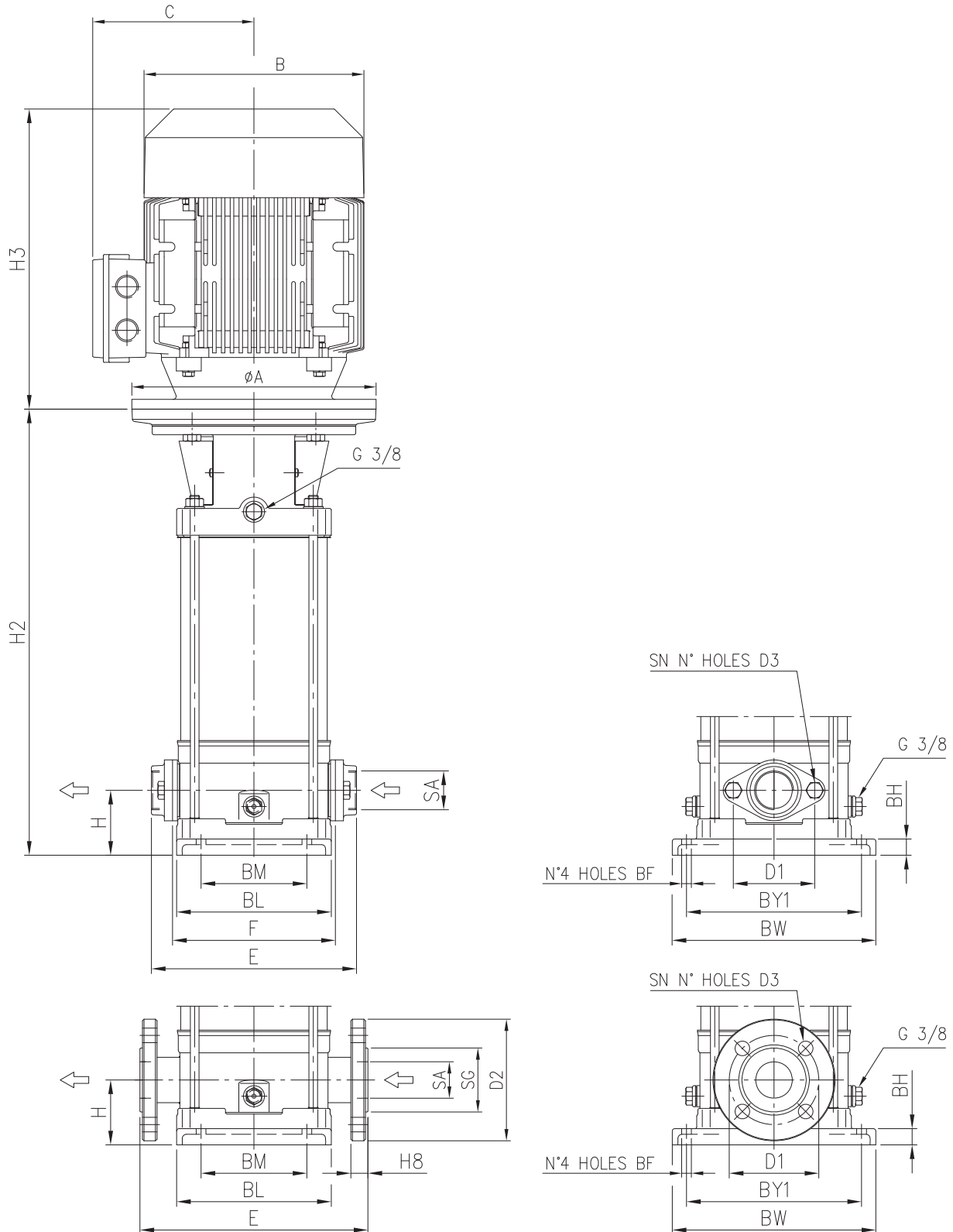
Model	P ₂		Mec Motor	Max. working pressure [MPa]	Q=Flow rate								Weight [kg]	
	[HP]	[kW]			l/min	500	600	700	900	1000	1200	1400	Pump	Pump + motor
					m ³ /h	30	36	42	54	60	72	84		
					H=Head [m]									
EVM 64 1-1F5/4.0	5,5	4	100	1,6	21,0	20,4	19,7	17,5	15,9	11,4	-	70,0	98,0	
EVM 64 1-0F5/5.5	7,5	5,5	132S	1,6	26,6	26,1	25,4	23,7	22,3	18,5	13,5	77,0	109,0	
EVM 64 2-2F5/7.5	10	7,5	132S	1,6	42,5	41,5	40,5	36,5	33,5	25,3	-	81,0	119,0	
EVM 64 2-1F5/11	15	11	160M	1,6	48,0	47,0	46,0	42,5	40,0	32,4	23,0	94,0	151,0	
EVM 64 2-0F5/11	15	11	160M	1,6	53,5	53,0	52,0	49,0	46,5	39,5	30,6	94,0	151,0	
EVM 64 3-3F5/15	20	15	160M	1,6	64,0	62,5	61,0	55,5	51,0	39,3	-	99,0	192,0	
EVM 64 3-2F5/15	20	15	160M	1,6	69,5	68,0	66,5	61,5	57,5	46,5	32,5	99,0	192,0	
EVM 64 3-1F5/15	20	15	160M	1,6	75,0	74,0	72,5	68,0	64,0	53,5	40,0	99,0	192,0	
EVM 64 3-0F5/18.5	25	18,5	160L	1,6	80,5	79,5	78,0	74,0	70,5	60,5	47,5	99,0	200,0	
EVM 64 4-3F5/18.5	25	18,5	160L	1,6	91,0	89,0	87,0	80,5	75,5	60,5	42,0	108,0	209,0	
EVM 64 4-2F5/18.5	25	18,5	160L	1,6	96,5	95,0	93,0	87,0	81,5	67,5	49,5	108,0	209,0	
EVM 64 4-1F5/22	30	22	180	1,6	102,0	101,0	98,5	93,0	88,0	74,5	57,0	116,0	246,0	
EVM 64 4-0F5/22	30	22	180	1,6	108,0	106,0	104,0	99,0	94,5	81,5	64,5	116,0	246,0	
EVM 64 5-3F5/30	40	30	200	1,6	118,0	116,0	114,0	106,0	99,5	81,5	59,0	128,0	300,0	
EVM 64 5-2F5/30	40	30	200	1,6	124,0	122,0	119,0	112,0	106,0	88,5	66,5	128,0	300,0	
EVM 64 5-1F5/30	40	30	200	1,6	129,0	127,0	125,0	118,0	112,0	95,5	74,0	128,0	300,0	
EVM 64 5-0F5/30	40	30	200	1,6	135,0	133,0	131,0	124,0	119,0	103,0	81,5	128,0	300,0	
EVM 64 6-3F5/30	40	30	200	1,6	145,0	143,0	140,0	131,0	124,0	103,0	76,0	136,0	308,0	
EVM 64 6-2F5/30	40	30	200	2,5	151,0	148,0	146,0	137,0	130,0	110,0	83,5	136,0	308,0	
EVM 64 6-1F5/37	50	37	200	2,5	156,0	154,0	151,0	143,0	136,0	117,0	91,0	136,0	326,0	
EVM 64 6-0F5/37	50	37	200	2,5	162,0	160,0	157,0	149,0	143,0	124,0	99,0	136,0	326,0	
EVM 64 7-3F5/37	50	37	200	2,5	172,0	169,0	166,0	156,0	148,0	124,0	93,0	139,0	329,0	
EVM 64 7-2F5/37	50	37	200	2,5	178,0	175,0	172,0	162,0	154,0	131,0	101,0	139,0	329,0	
EVM 64 7-1F5/37	50	37	200	2,5	183,0	181,0	178,0	168,0	161,0	138,0	108,0	139,0	329,0	

1,6 MPa= 16 bar
2,5 MPa= 25 bar

VERTICAL MULTISTAGE ELECTRIC PUMPS

in cast iron, AISI 304, AISI 316

EVM 3-5-10-18 DIMENSIONS



VERTICAL MULTISTAGE ELECTRIC PUMPS

in cast iron, AISI 304, AISI 316

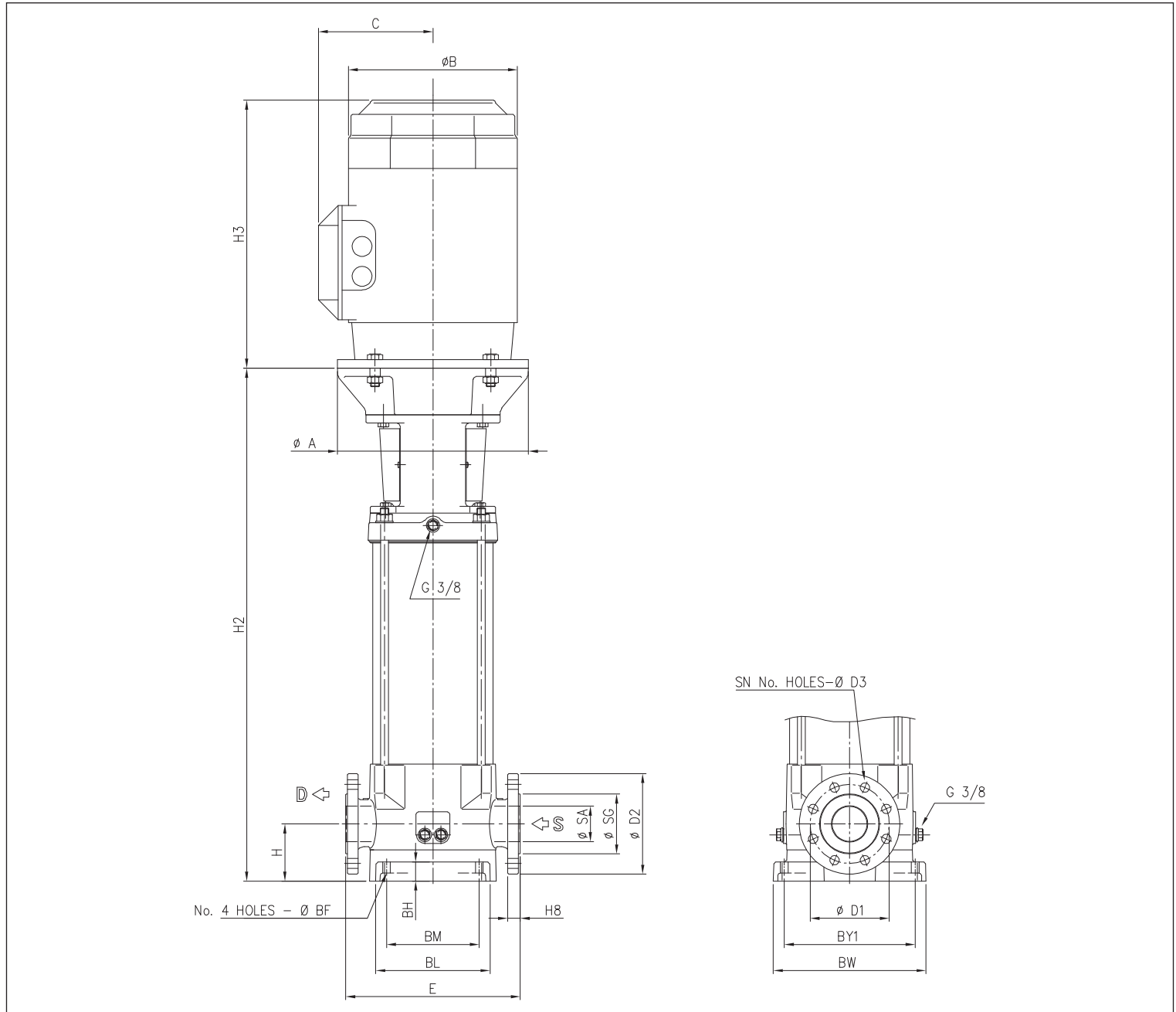
DIMENSIONS TABLE

Model	Mec Mot.	P. max. [MPa]	H	H2	H3		F	E	B		C		Dimensions [mm]													
					[2]	[1]			[2]	[1]	[2]	[1]	BM	BL	BY1	BW	SA	SG	D1	D2	H8	SN	D3	BF	BH	A
EVM 3 2N5/0.37 (M)	71	1,6	50	241	215	215	160	206	142	142	129	112	100	149	180	210	G 1	-	75	-	-	2	M10	Ø12	20	Ø105
EVM 3 3N5/0.37 (M)	71	1,6	50	262	215	215	160	206	142	142	129	112	100	149	180	210	G 1	-	75	-	-	2	M10	Ø12	20	Ø105
EVM 3 4N5/0.55 (M)	71	1,6	50	283	215	215	160	206	142	142	129	112	100	149	180	210	G 1	-	75	-	-	2	M10	Ø12	20	Ø105
EVM 3 5N5/0.55 (M)	71	1,6	50	304	215	215	160	206	142	142	129	112	100	149	180	210	G 1	-	75	-	-	2	M10	Ø12	20	Ø105
EVM 3 6N5/0.75 (M)	80	1,6	50	335	232	232	160	206	160	160	150	129	100	149	180	210	G 1	-	75	-	-	2	M10	Ø12	20	Ø120
EVM 3 7N5/0.75 (M)	80	1,6	50	356	232	232	160	206	160	160	150	129	100	149	180	210	G 1	-	75	-	-	2	M10	Ø12	20	Ø120
EVM 3 9N5/1.1 (M)	80	1,6	50	398	232	232	160	206	160	160	150	129	100	149	180	210	G 1	-	75	-	-	2	M10	Ø12	20	Ø120
EVM 3 11N5/1.1 (M)	80	1,6	50	440	232	232	160	206	160	160	150	129	100	149	180	210	G 1	-	75	-	-	2	M10	Ø12	20	Ø120
EVM 3 13N5/1.5 (M)	90S	1,6	50	492	278	267	160	206	172	180	140	138	100	149	180	210	G 1	-	75	-	-	2	M10	Ø12	20	Ø140
EVM 3 15N5/1.5 (M)	90S	1,6	50	534	278	267	160	206	172	180	140	138	100	149	180	210	G 1	-	75	-	-	2	M10	Ø12	20	Ø140
EVM 3 18F5/2.2 (M)	90L	2,5	75	632	278	267	-	250	172	180	140	138	100	149	180	210	DN25	Ø63	Ø85	Ø115	16	4	Ø14	Ø12	20	Ø140
EVM 3 22F5/2.2 (M)	90L	2,5	75	717	278	267	-	250	172	180	140	138	100	149	180	210	DN25	Ø63	Ø85	Ø115	16	4	Ø14	Ø12	20	Ø140
EVM 3 26F5/3.0	100	2,5	75	811	-	306	-	250	-	196	-	145	100	149	180	210	DN25	Ø63	Ø85	Ø115	16	4	Ø14	Ø12	20	Ø160
EVM 5 2N5/0.37 (M)	71	1,6	50	255	215	215	160	206	142	142	129	112	100	149	180	210	G 1¼	-	75	-	-	2	M10	Ø12	20	Ø105
EVM 5 3N5/0.55 (M)	71	1,6	50	283	215	215	160	206	142	142	129	112	100	149	180	210	G 1¼	-	75	-	-	2	M10	Ø12	20	Ø105
EVM 5 4N5/0.75 (M)	80	1,6	50	321	232	232	160	206	160	160	150	129	100	149	180	210	G 1¼	-	75	-	-	2	M10	Ø12	20	Ø120
EVM 5 5N5/1.1 (M)	80	1,6	50	349	232	232	160	206	160	160	150	129	100	149	180	210	G 1¼	-	75	-	-	2	M10	Ø12	20	Ø120
EVM 5 6N5/1.1 (M)	80	1,6	50	377	232	232	160	206	160	160	150	129	100	149	180	210	G 1¼	-	75	-	-	2	M10	Ø12	20	Ø120
EVM 5 7N5/1.5 (M)	90S	1,6	50	415	278	267	160	206	172	180	140	138	100	149	180	210	G 1¼	-	75	-	-	2	M10	Ø12	20	Ø140
EVM 5 8N5/1.5 (M)	90S	1,6	50	443	278	267	160	206	172	180	140	138	100	149	180	210	G 1¼	-	75	-	-	2	M10	Ø12	20	Ø140
EVM 5 10N5/2.2 (M)	90L	1,6	50	509	278	267	160	206	172	180	140	138	100	149	180	210	G 1¼	-	75	-	-	2	M10	Ø12	20	Ø140
EVM 5 11N5/2.2 (M)	90L	1,6	50	537	278	267	160	206	172	180	140	138	100	149	180	210	G 1¼	-	75	-	-	2	M10	Ø12	20	Ø140
EVM 5 12N5/2.2 (M)	90L	1,6	50	565	278	267	160	206	172	180	140	138	100	149	180	210	G 1¼	-	75	-	-	2	M10	Ø12	20	Ø140
EVM 5 14N5/3.0	100	1,6	50	631	-	306	160	206	-	196	-	145	100	149	180	210	G 1¼	-	75	-	-	2	M10	Ø12	20	Ø160
EVM 5 16N5/3.0	100	1,6	50	688	-	306	160	206	-	196	-	145	100	149	180	210	G 1¼	-	75	-	-	2	M10	Ø12	20	Ø160
EVM 5 18F5/4.0	112	2,5	75	769	-	306	-	250	-	196	-	145	100	149	180	210	DN32	Ø71	Ø100	Ø140	20	4	Ø14	Ø12	20	Ø160
EVM 5 19F5/4.0	112	2,5	75	797	-	306	-	250	-	196	-	145	100	149	180	210	DN32	Ø71	Ø100	Ø140	20	4	Ø14	Ø12	20	Ø160
EVM 5 22F5/4.0	112	2,5	75	881	-	306	-	250	-	196	-	145	100	149	180	210	DN32	Ø71	Ø100	Ø140	20	4	Ø14	Ø12	20	Ø160
EVM 5 24F5/5.5	132	2,5	75	948	-	328	-	250	-	220	-	161	100	149	180	210	DN32	Ø71	Ø100	Ø140	20	4	Ø14	Ø12	20	Ø300
EVM 10 2N5/0.75 (M)	80	1,6	80	333	232	232	200	252	160	160	150	129	130	190	215	250	G 1½	-	100	-	-	2	M12	Ø12	20	Ø120
EVM 10 3N5/1.1 (M)	80	1,6	80	363	232	232	200	252	160	160	150	129	130	190	215	250	G 1½	-	100	-	-	2	M12	Ø12	20	Ø120
EVM 10 4N5/1.5 (M)	90S	1,6	80	403	278	267	200	252	172	180	140	138	130	190	215	250	G 1½	-	100	-	-	2	M12	Ø12	20	Ø140
EVM 10 5N5/2.2 (M)	90L	1,6	80	443	278	267	200	252	172	180	140	138	130	190	215	250	G 1½	-	100	-	-	2	M12	Ø12	20	Ø140
EVM 10 6N5/2.2 (M)	90L	1,6	80	473	278	267	200	252	172	180	140	138	130	190	215	250	G 1½	-	100	-	-	2	M12	Ø12	20	Ø140
EVM 10 8N5/3.0	100	1,6	80	543	-	306	200	252	-	196	-	145	130	190	215	250	G 1½	-	100	-	-	2	M12	Ø12	20	Ø160
EVM 10 10N5/4.0	112	1,6	80	603	-	306	200	252	-	196	-	145	130	190	215	250	G 1½	-	100	-	-	2	M12	Ø12	20	Ø160
EVM 10 11N5/4.0	112	1,6	80	633	-	306	200	252	-	196	-	145	130	190	215	250	G 1½	-	100	-	-	2	M12	Ø12	20	Ø160
EVM 10 12N5/5.5	132	1,6	80	674	-	328	200	252	-	220	-	161	130	190	215	250	G 1½	-	100	-	-	2	M12	Ø12	20	Ø300
EVM 10 14N5/5.5	132	1,6	80	734	-	328	200	252	-	220	-	161	130	190	215	250	G 1½	-	100	-	-	2	M12	Ø12	20	Ø300
EVM 10 15F5/5.5	132	2,5	80	764	-	328	-	280	-	220	-	161	130	190	215	250	DN40	Ø79	Ø110	Ø150	21	4	Ø18	Ø12	20	Ø300
EVM 10 16F5/7.5	132	2,5	80	794	-	328	-	280	-	220	-	161	130	190	215	250	DN40	Ø79	Ø110	Ø150	21	4	Ø18	Ø12	20	Ø300
EVM 10 18F5/7.5	132	2,5	80	854	-	328	-	280	-	220	-	161	130	190	215	250	DN40	Ø79	Ø110	Ø150	21	4	Ø18	Ø12	20	Ø300
EVM 10 20F5/7.5	132	2,5	80	915	-	328	-	280	-	220	-	161	130	190	215	250	DN40	Ø79	Ø110	Ø150	21	4	Ø18	Ø12	20	Ø300
EVM 10 22F5/11	160M	2,5	80	1005	-	403	-	280	-	248	-	195	130	190	215	250	DN40	Ø79	Ø110	Ø150	21	4	Ø18	Ø12	20	Ø350
EVM 18 2F5/2.2 (M)	90L	1,6	90	373	278	267	-	300	172	180	140	138	130	190	215	250	DN50	Ø92	Ø125	Ø165	21	4	Ø18	Ø12	20	Ø140
EVM 18 3F5/3.0	100	1,6	90	423	-	306	-	300	-	196	-	145	130	190	215	250	DN50	Ø92	Ø125	Ø165	21	4	Ø18	Ø12	20	Ø160
EVM 18 4F5/4.0	112	1,6	90	473	-	306	-	300	-	196	-	145	130	190	215	250	DN50	Ø92	Ø125	Ø165	21	4	Ø18	Ø12	20	Ø160
EVM 18 5F5/5.5	132	1,6	90	524	-	328	-	300	-	220	-	161	130	190	215	250	DN50	Ø92	Ø125	Ø165	21	4	Ø18	Ø12	20	Ø300
EVM 18 6F5/5.5	132	1,6	90	564	-	328	-	300	-	220	-	161	130	190	215	250	DN50	Ø92	Ø125	Ø165	21	4	Ø18	Ø12	20	Ø300
EVM 18 7F5/7.5	132	2,5	90	604	-	328	-	300	-	220	-	161	130	190	215	250	DN50	Ø92	Ø125	Ø165	21	4	Ø18	Ø12	20	Ø300
EVM 18 8F5/7.5	132	2,5	90	644	-	328	-	300	-	220	-	161	130	190	215	250	DN50	Ø92	Ø125	Ø165	21	4	Ø18	Ø12	20	Ø300
EVM 18 10F5/11	160M	2,5	90	754	-	403	-	300	-	248	-	195	130	190	215	250	DN50	Ø92	Ø125	Ø165	21	4	Ø18	Ø12	20	Ø350
EVM 18 12F5/11	160M	2,5	90	834	-	403	-	300	-	248	-	195	130	190	215	250	DN50	Ø92	Ø125	Ø165	21	4	Ø18	Ø12	20	Ø350
EVM 18 14F5/15	160M	2,5	90	914	-	503	-	300	-	335	-	246	130	190	215	250	DN50	Ø92	Ø125	Ø165	21	4	Ø18	Ø12	20	Ø350
EVM 18 15F5/15	160M	2,5	90	955	-	503	-	300	-	335	-	246	130	190	215	250										

VERTICAL MULTISTAGE ELECTRIC PUMPS

in cast iron, AISI 304, AISI 316

EVM 32-45-64 DIMENSIONS



DIMENSIONS TABLE

Model	Mot. Mec	P. max. [MPa]	Dimensions [mm]																			
			H	H2	H3 [1]	E	B [1]	C [1]	BM	BL	BY1	BW	SA	SG	D1	D2	H8	SN	D3	BF	BH	A
EVM 32 1-0F5/2.2	90L	1,6	105	493	267	320	180	138	170	210	240	280	DN65	$\phi 110$	$\phi 145$	$\phi 185$	23	4	$\phi 18$	$\phi 14$	35	140
EVM 32 2-2F5/3.0	100	1,6	105	503	306	320	196	145	170	210	240	280	DN65	$\phi 110$	$\phi 145$	$\phi 185$	23	4	$\phi 18$	$\phi 14$	35	160
EVM 32 2-0F5/4.0	112	1,6	105	503	306	320	196	145	170	210	240	280	DN65	$\phi 110$	$\phi 145$	$\phi 185$	23	4	$\phi 18$	$\phi 14$	35	160
EVM 32 3-3F5/5.5	132	1,6	105	572	328	320	220	161	170	210	240	280	DN65	$\phi 110$	$\phi 145$	$\phi 185$	23	4	$\phi 18$	$\phi 14$	35	300
EVM 32 3-0F5/5.5	132	1,6	105	572	328	320	220	161	170	210	240	280	DN65	$\phi 110$	$\phi 145$	$\phi 185$	23	4	$\phi 18$	$\phi 14$	35	300
EVM 32 4-3F5/7.5	132	1,6	105	620	328	320	220	161	170	210	240	280	DN65	$\phi 110$	$\phi 145$	$\phi 185$	23	4	$\phi 18$	$\phi 14$	35	300
EVM 32 4-0F5/7.5	132	1,6	105	620	328	320	220	161	170	210	240	280	DN65	$\phi 110$	$\phi 145$	$\phi 185$	23	4	$\phi 18$	$\phi 14$	35	300
EVM 32 5-3F5/11	160M	1,6	105	799	403	320	248	195	170	210	240	280	DN65	$\phi 110$	$\phi 145$	$\phi 185$	23	4	$\phi 18$	$\phi 14$	35	350
EVM 32 5-0F5/11	160M	1,6	105	799	403	320	248	195	170	210	240	280	DN65	$\phi 110$	$\phi 145$	$\phi 185$	23	4	$\phi 18$	$\phi 14$	35	350

VERTICAL MULTISTAGE ELECTRIC PUMPS

in cast iron, AISI 304, AISI 316

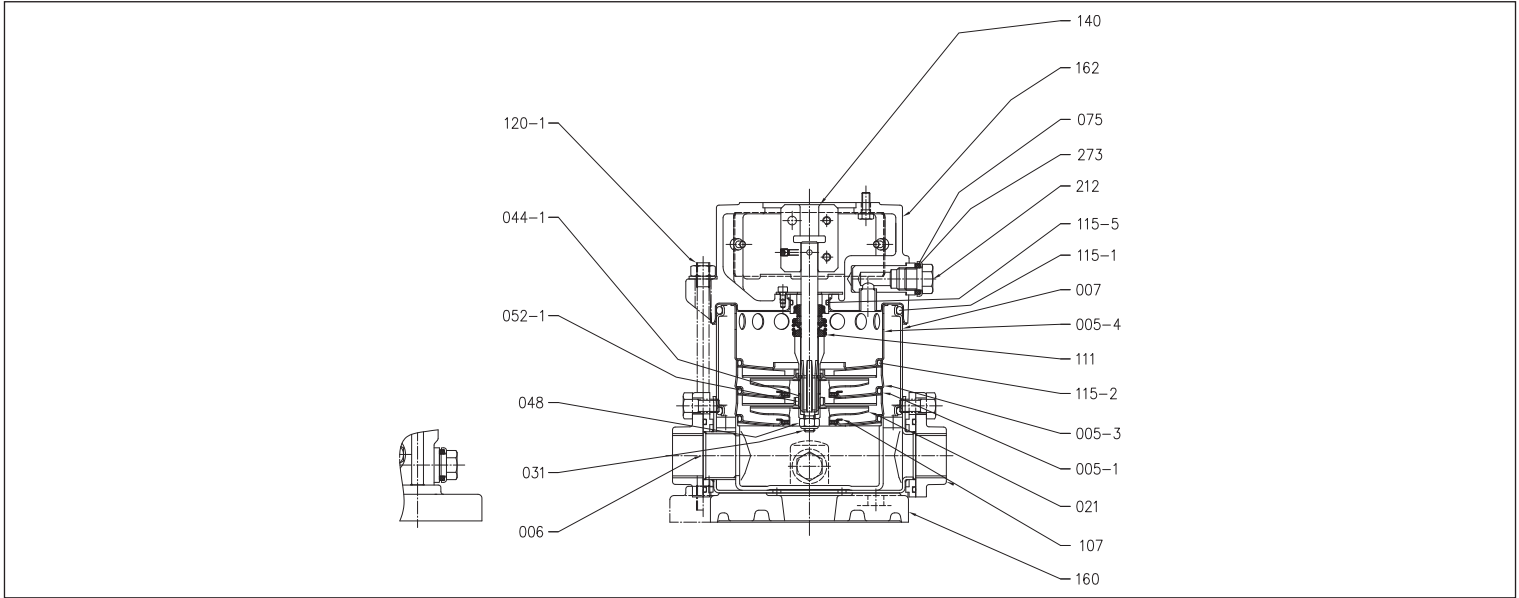
DIMENSIONS TABLE

Model	Mec Mot.	P. max. [MPa]	Dimensions [mm]																			
			H	H2	H3 [1]	E	B [1]	C [1]	BM	BL	BY1	BW	SA	SG	D1	D2	H8	SN	D3	BF	BH	A
EVM 32 6-3F5/11	160M	1,6	105	847	403	320	248	195	170	210	240	280	DN65	Ø110	Ø145	Ø185	23	4	Ø18	Ø14	35	350
EVM 32 6-0F5/11	160M	1,6	105	847	403	320	248	195	170	210	240	280	DN65	Ø110	Ø145	Ø185	23	4	Ø18	Ø14	35	350
EVM 32 7-3F5/15	160M	1,6	105	895	503	320	335	246	170	210	240	280	DN65	Ø110	Ø145	Ø185	23	4	Ø18	Ø14	35	350
EVM 32 7-0F5/15	160M	1,6	105	895	503	320	335	246	170	210	240	280	DN65	Ø110	Ø145	Ø185	23	4	Ø18	Ø14	35	350
EVM 32 8-3F5/15	160M	2,5	105	943	503	320	335	246	170	210	240	280	DN65	Ø110	Ø145	Ø185	23	8	Ø18	Ø14	35	350
EVM 32 8-0F5/15	160M	2,5	105	943	503	320	335	246	170	210	240	280	DN65	Ø110	Ø145	Ø185	23	8	Ø18	Ø14	35	350
EVM 32 9-3F5/18.5	160L	2,5	105	991	547	320	335	246	170	210	240	280	DN65	Ø110	Ø145	Ø185	23	8	Ø18	Ø14	35	350
EVM 32 9-0F5/18.5	160L	2,5	105	991	547	320	335	246	170	210	240	280	DN65	Ø110	Ø145	Ø185	23	8	Ø18	Ø14	35	350
EVM 32 10-3F5/18.5	160L	2,5	105	1039	547	320	335	246	170	210	240	280	DN65	Ø110	Ø145	Ø185	23	8	Ø18	Ø14	35	350
EVM 32 10-1F5/18.5	160L	2,5	105	1039	547	320	335	246	170	210	240	280	DN65	Ø110	Ø145	Ø185	23	8	Ø18	Ø14	35	350
EVM 32 11-3F5/22	180	2,5	105	1087	602	320	366	266	170	210	240	280	DN65	Ø110	Ø145	Ø185	23	8	Ø18	Ø14	35	350
EVM 32 11-0F5/22	180	2,5	105	1087	602	320	366	266	170	210	240	280	DN65	Ø110	Ø145	Ø185	23	8	Ø18	Ø14	35	350
EVM 32 12-3F5/22	180	2,5	105	1135	602	320	366	266	170	210	240	280	DN65	Ø110	Ø145	Ø185	23	8	Ø18	Ø14	35	350
EVM 32 12-1F5/22	180	3,0	105	1135	602	320	366	266	170	210	240	280	DN65	Ø110	Ø145	Ø185	23	8	Ø18	Ø14	35	350
EVM 32 13-3F5/30	200	3,0	105	1198	669	320	405	341	170	210	240	280	DN65	Ø110	Ø145	Ø185	23	8	Ø18	Ø14	35	400
EVM 32 13-0F5/30	200	3,0	105	1198	669	320	405	341	170	210	240	280	DN65	Ø110	Ø145	Ø185	23	8	Ø18	Ø14	35	400
EVM 32 14-3F5/30	200	3,0	105	1246	669	320	405	341	170	210	240	280	DN65	Ø110	Ø145	Ø185	23	8	Ø18	Ø14	35	400
EVM 32 14-0F5/30	200	3,0	105	1246	669	320	405	341	170	210	240	280	DN65	Ø110	Ø145	Ø185	23	8	Ø18	Ø14	35	400
EVM 45 1-1F5/3.0	100	1,6	140	525	306	365	196	145	190	251	266	331	DN80	Ø120	Ø160	Ø200	20	8	Ø18	Ø14	45	160
EVM 45 1-0F5/4.0	112	1,6	140	525	306	365	196	145	190	251	266	331	DN80	Ø120	Ø160	Ø200	20	8	Ø18	Ø14	45	160
EVM 45 2-2F5/5.5	132	1,6	140	618	328	365	220	161	190	251	266	331	DN80	Ø120	Ø160	Ø200	20	8	Ø18	Ø14	45	300
EVM 45 2-0F5/7.5	132	1,6	140	618	328	365	220	161	190	251	266	331	DN80	Ø120	Ø160	Ø200	20	8	Ø18	Ø14	45	300
EVM 45 3-2F5/11	160M	1,6	140	821	403	365	248	195	190	251	266	331	DN80	Ø120	Ø160	Ø200	20	8	Ø18	Ø14	45	350
EVM 45 3-0F5/11	160M	1,6	140	821	403	365	248	195	190	251	266	331	DN80	Ø120	Ø160	Ø200	20	8	Ø18	Ø14	45	350
EVM 45 4-2F5/15	160M	2,5	140	893	503	365	335	246	190	251	266	331	DN80	Ø120	Ø160	Ø200	20	8	Ø18	Ø14	45	350
EVM 45 4-0F5/15	160M	2,5	140	893	503	365	335	246	190	251	266	331	DN80	Ø120	Ø160	Ø200	20	8	Ø18	Ø14	45	350
EVM 45 5-2F5/18.5	160L	2,5	140	965	547	365	335	246	190	251	266	331	DN80	Ø120	Ø160	Ø200	20	8	Ø18	Ø14	45	350
EVM 45 5-0F5/18.5	160L	2,5	140	965	547	365	335	246	190	251	266	331	DN80	Ø120	Ø160	Ø200	20	8	Ø18	Ø14	45	350
EVM 45 6-2F5/22	180	2,5	140	1037	602	365	366	266	190	251	266	331	DN80	Ø120	Ø160	Ø200	20	8	Ø18	Ø14	45	350
EVM 45 6-0F5/22	180	2,5	140	1037	602	365	366	266	190	251	266	331	DN80	Ø120	Ø160	Ø200	20	8	Ø18	Ø14	45	350
EVM 45 7-2F5/30	200	2,5	140	1124	669	365	405	341	190	251	266	331	DN80	Ø120	Ø160	Ø200	20	8	Ø18	Ø14	45	400
EVM 45 7-0F5/30	200	2,5	140	1124	669	365	405	341	190	251	266	331	DN80	Ø120	Ø160	Ø200	20	8	Ø18	Ø14	45	400
EVM 45 8-2F5/30	200	2,5	140	1196	669	365	405	341	190	251	266	331	DN80	Ø120	Ø160	Ø200	20	8	Ø18	Ø14	45	400
EVM 45 8-0F5/30	200	2,5	140	1196	669	365	405	341	190	251	266	331	DN80	Ø120	Ø160	Ø200	20	8	Ø18	Ø14	45	400
EVM 45 9-2F5/3.0	200	2,5	140	1269	669	365	405	341	190	251	266	331	DN80	Ø120	Ø160	Ø200	20	8	Ø18	Ø14	45	400
EVM 45 9-0F5/3.0	200	2,5	140	1269	669	365	405	341	190	251	266	331	DN80	Ø120	Ø160	Ø200	20	8	Ø18	Ø14	45	400
EVM 45 10-2F5/37	200	3,0	140	1341	669	365	405	341	190	251	266	331	DN80	Ø120	Ø160	Ø200	20	8	Ø18	Ø14	45	400
EVM 45 10-0F5/37	200	3,0	140	1341	669	365	405	341	190	251	266	331	DN80	Ø120	Ø160	Ø200	20	8	Ø18	Ø14	45	400
EVM 64 1-1F5/4.0	100	1,6	140	525	306	365	196	145	190	251	266	331	DN100	Ø140	Ø180	Ø220	20	8	Ø18	Ø14	45	160
EVM 64 1-0F5/5.5	132	1,6	140	546	328	365	220	161	190	251	266	331	DN100	Ø140	Ø180	Ø220	20	8	Ø18	Ø14	45	300
EVM 64 2-2F5/7.5	132	1,6	140	618	328	365	220	161	190	251	266	331	DN100	Ø140	Ø180	Ø220	20	8	Ø18	Ø14	45	300
EVM 64 2-1F5/11	160M	1,6	140	749	403	365	248	195	190	251	266	331	DN100	Ø140	Ø180	Ø220	20	8	Ø18	Ø14	45	350
EVM 64 2-0F5/11	160M	1,6	140	749	403	365	248	195	190	251	266	331	DN100	Ø140	Ø180	Ø220	20	8	Ø18	Ø14	45	350
EVM 64 3-3F5/15	160M	1,6	140	821	503	365	335	246	190	251	266	331	DN100	Ø140	Ø180	Ø220	20	8	Ø18	Ø14	45	350
EVM 64 3-2F5/15	160M	1,6	140	821	503	365	335	246	190	251	266	331	DN100	Ø140	Ø180	Ø220	20	8	Ø18	Ø14	45	350
EVM 64 3-1F5/15	160M	1,6	140	821	503	365	335	246	190	251	266	331	DN100	Ø140	Ø180	Ø220	20	8	Ø18	Ø14	45	350
EVM 64 3-0F5/18.5	160L	1,6	140	821	547	365	335	246	190	251	266	331	DN100	Ø140	Ø180	Ø220	20	8	Ø18	Ø14	45	350
EVM 64 4-3F5/18.5	160L	1,6	140	893	547	365	335	246	190	251	266	331	DN100	Ø140	Ø180	Ø220	20	8	Ø18	Ø14	45	350
EVM 64 4-2F5/18.5	160L	1,6	140	893	547	365	335	246	190	251	266	331	DN100	Ø140	Ø180	Ø220	20	8	Ø18	Ø14	45	350
EVM 64 4-1F5/22	180	1,6	140	893	602	365	366	266	190	251	266	331	DN100	Ø140	Ø180	Ø220	20	8	Ø18	Ø14	45	350
EVM 64 4-0F5/22	180	1,6	140	893	602	365	366	266	190	251	266	331	DN100	Ø140	Ø180	Ø220	20	8	Ø18	Ø14	45	350
EVM 64 5-3F5/30	200	1,6	140	980	669	365	405	341	190	251	266	331	DN100	Ø140	Ø180	Ø220	20	8	Ø18	Ø14	45	400
EVM 64 5-2F5/30	200	1,6	140	980	669	365	405	341	190	251	266	331	DN100	Ø140	Ø180	Ø220	20	8	Ø18	Ø14	45	400
EVM 64 5-1F5/30	200	1,6	140	980	669	365	405	341	190	251	266	331	DN100	Ø140	Ø180	Ø220	20	8	Ø18	Ø14	45	400
EVM 64 5-0F5/30	200	1,6	140	980	669	365	405	341	190	251	266	331	DN100	Ø140	Ø180	Ø220	20	8	Ø18	Ø14	45	400
EVM 64 6-2F5/30	200	2,5	140	1052	669	365	405	341	190	251	266	331	DN100	Ø140	Ø190	Ø235	26	8	Ø22	Ø14	45	400
EVM 64 6-1F5/37	200	2,5	140	1052	669	365	405	341	190	251	266	331	DN100	Ø140	Ø190	Ø235	26	8	Ø22	Ø14	45	400
EVM 64 6-0F5/37	200	2,5	140	1052	669	365	405	341	190	251	266	331	DN100	Ø140	Ø190	Ø235	26	8	Ø22	Ø14	45	400
EVM 64 7-2F5/37	200	2,5	140	1124	669	365	405	341	190	251	266	331	DN100	Ø140	Ø190	Ø235	26	8	Ø22	Ø14	45	400
EVM 64 7-1F5/37	200	2,5	140	1124	669	365	405	34														

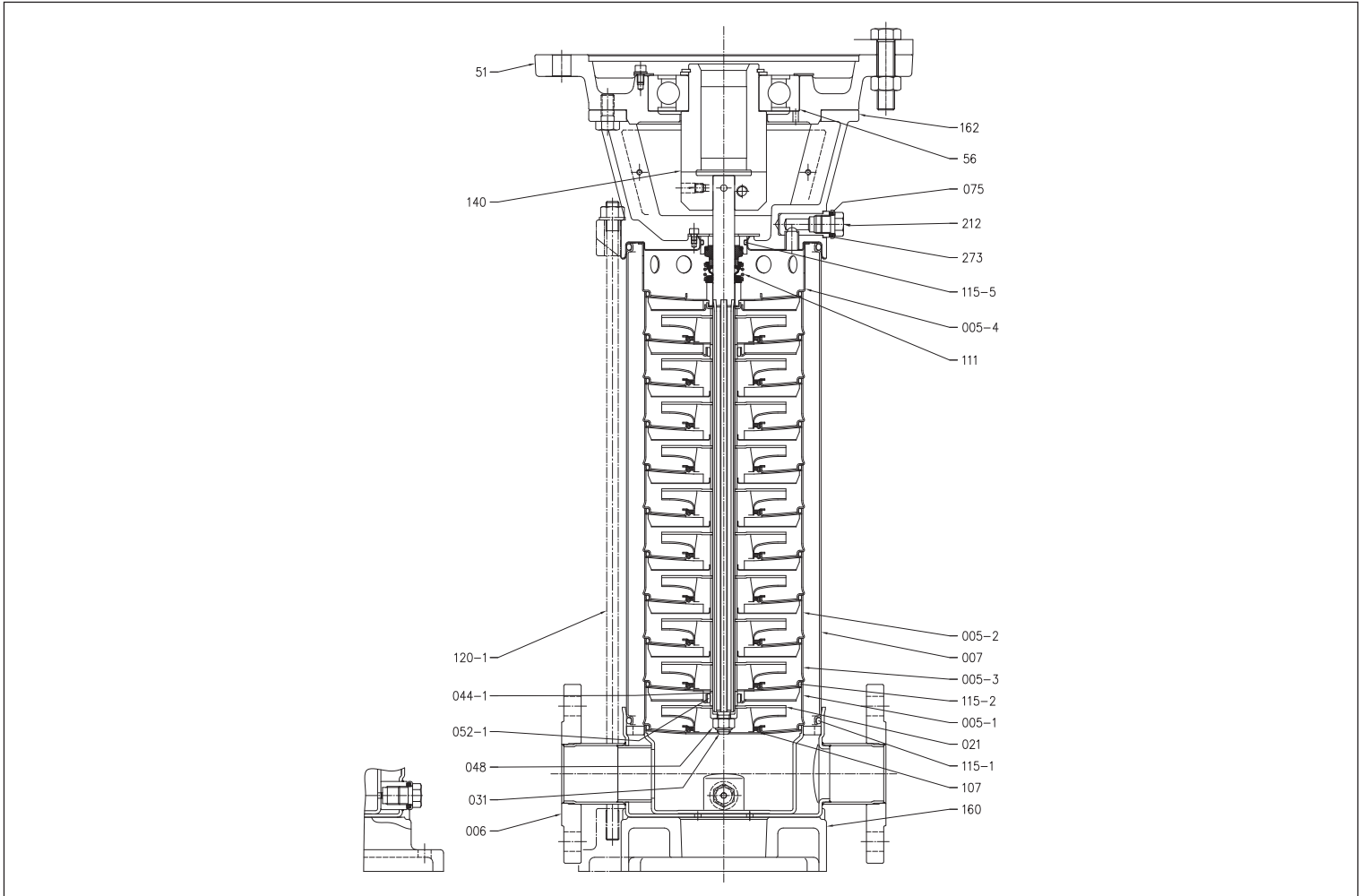
VERTICAL MULTISTAGE ELECTRIC PUMPS

in cast iron, AISI 304, AISI 316

EVM 3-18 SECTIONAL VIEW Pump without bearings



EVM 3-18 SECTIONAL VIEW Pump with individual bearing



VERTICAL MULTISTAGE ELECTRIC PUMPS

in cast iron, AISI 304, AISI 316

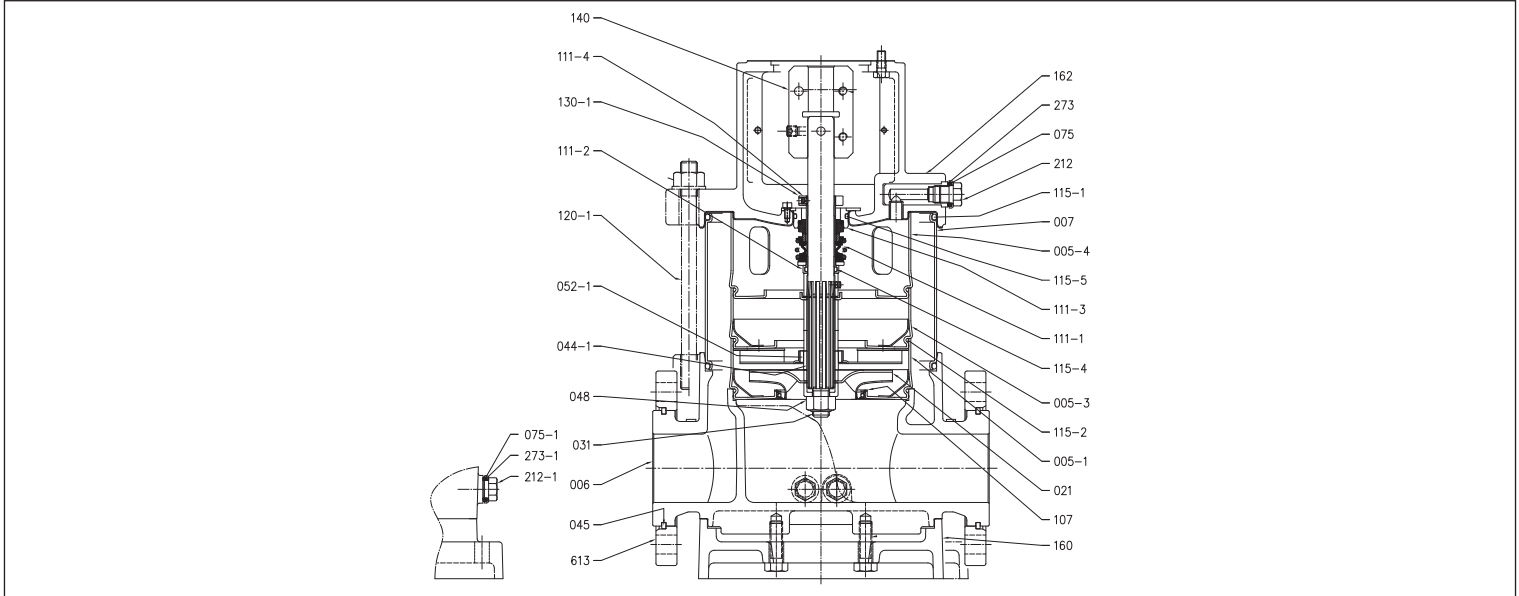
EVM 3-18 MATERIAL TABLE

Ref.	Name	Material			
		EVMG	EVM	EVML	EVMW
005-1	Suction stage	EN 1.4301(AISI 304)		EN 1.4401 (AISI 316)	EN 1.4301(AISI 304)
005-2	Intermediate stage	EN 1.4301(AISI 304)		EN 1.4401 (AISI 316)	EN 1.4301(AISI 304)
005-3	Support stage kit	EN 1.4301(AISI 304)		EN 1.4401 (AISI 316)	EN 1.4301(AISI 304)
005-4	Final stage	EN 1.4301(AISI 304)		EN 1.4401 (AISI 316)	EN 1.4301(AISI 304)
006	Pump body	Cast iron EN-GJL-200-EN 1561	EN 1.4301(AISI 304)	EN 1.4401 (AISI 316)	EN 1.4301(AISI 304)
007	External casing		EN 1.4401 (AISI 316)		
021	Impeller	EN 1.4301(AISI 304)		EN 1.4401 (AISI 316)	EN 1.4301(AISI 304)
031	Shaft		EN 1.4401 (AISI 316)		
044-1	Bearing		Tungsten carbide		
048	Impeller nut	A2-70 UNI 7323 (with stainless steel insert)		A4-70 UNI 7323 (with stainless steel insert)	A2-70 UNI 7323 (with stainless steel insert)
051	Motor adapter		Cast iron EN-GJL-200-EN 1561		
052-1	Bearing		Tungsten carbide		
056	Bearing		-		
075	O-Ring	EPDM		FPM	EPDM-WRAS
107	Wear ring	EPDM/EN 1.4301(AISI 304)		PTFE/EN 1.4401 (AISI 316)	EPDM-WRAS/EN 1.4301(AISI 304)
111	Mechanical seal		SiC/Carbon/FPM		SiC/Carbon/EPDM-WRAS
115	O-Ring (external casing)	EPDM		FPM	EPDM-WRAS
	O-Ring (stage)	EPDM		FPM	EPDM-WRAS
	O-Ring (seal-holder flange)	EPDM		FPM	EPDM-WRAS
120-1	Joint screw		Galvanised steel 6.8 class ISO 898/1		
140	Joint		Brass OT 58 UNI 5705/Carbon		
160	Pump body base	-		Cast iron EN-GJL-200-EN 1561	
162	Motor support		Cast iron EN-GJL-200-EN 1561		
212	Cap	EN 1.4301(AISI 304)		EN 1.4401 (AISI 316)	EN 1.4301(AISI 304)
273	Washer	EN 1.4301(AISI 304)		EN 1.4401 (AISI 316)	EN 1.4301(AISI 304)

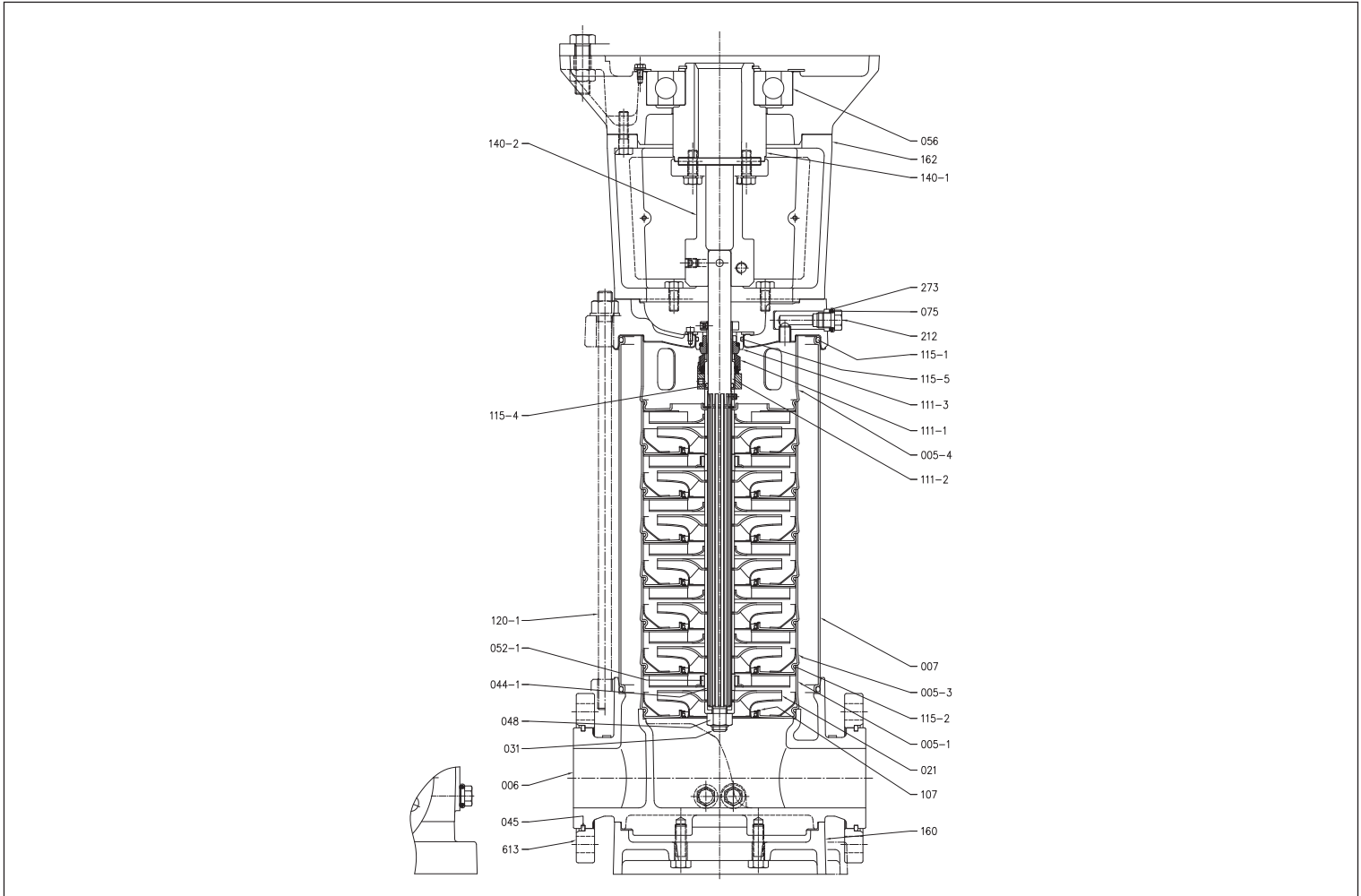
VERTICAL MULTISTAGE ELECTRIC PUMPS

in cast iron, AISI 304, AISI 316

EVM 32 SECTIONAL VIEW Pump without bearings



EVM 32 SECTIONAL VIEW Pump with individual bearing



VERTICAL MULTISTAGE ELECTRIC PUMPS

in cast iron, AISI 304, AISI 316

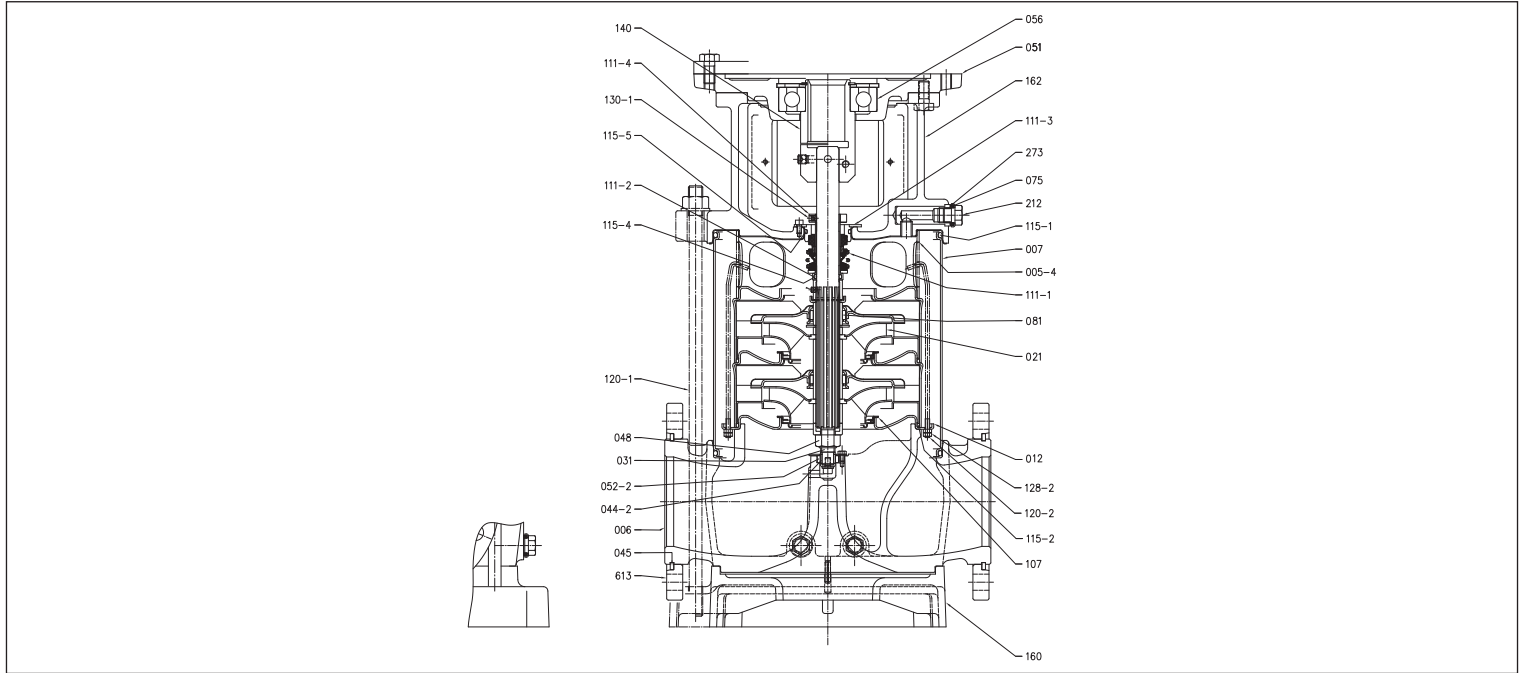
EVM 32 MATERIAL TABLE

Ref.	Name	Material		
		EVMG	EVM	EVML
005-1	Suction stage		EN 1.4301 (AISI 304)	EN 1.4401 (AISI 316)
005-3	Support stage kit		EN 1.4301 (AISI 304)	EN 1.4401 (AISI 316)
005-4	Final stage		EN 1.4301 (AISI 304)	EN 1.4401 (AISI 316)
006	Pump body	Cast iron EN-GJL-200-EN 1561	EN 1.4308 (ASTM CF8)	EN 1.4408 (ASTM CF8M)
007	External casing		EN 1.4301 (AISI 304)	EN 1.4401 (AISI 316)
021	Impeller		EN 1.4301 (AISI 304)	EN 1.4401 (AISI 316)
031	Shaft		EN 1.4401 (AISI 316)	
044-1	Bearing		Tungsten carbide	
045	Flange half-ring		EN 1.402 (AISI 420)	
048	Impeller nut		A2-70 UNI 7323 (with stainless steel insert)	A4-70 UNI 7323 (with stainless steel insert)
052-1	Bearing		Tungsten carbide	
056	Bearing		-	
075	O-Ring		EPDM	FPM
107	Wear ring		EPDM/EN 1.4301 (AISI 304)	PTFE/EN 1.4401 (AISI 316)
111-1	Mechanical seal		SiC/Carbon/FPM	
111-2	Mechanical seal (cartridge)		EN 1.4301 (AISI 304)	EN 1.4401 (AISI 316)
111-3	Seal seat		EN 1.4301 (AISI 304)	EN 1.4401 (AISI 316)
111-4	Sealing ring		Brass OT 58 UNI 5705	EN 1.4401 (AISI 316)
115	O-Ring (external casing)		EPDM	FPM
	O-Ring (stage)		EPDM	FPM
	O-Ring (seal-holder flange)		EPDM	FPM
	O-Ring (seal cover)		EPDM	FPM
120-1	Joint screw		Galvanised steel 6.8 class ISO 898/1	
130-1	Screw		A2-70 UNI 7323	
140	Joint		Brass OT 58 UNI 5705	
140-1	Motor joint		Carbon	
140-2	Joint		Carbon	
160	Pump body base	-	Cast iron EN-GJL-200-EN 1561	
162	Motor support		Cast iron EN-GJL-200-EN 1561	
212	Cap		EN 1.4301 (AISI 304)	EN 1.4401 (AISI 316)
273	Washer		EN 1.4301 (AISI 304)	EN 1.4401 (AISI 316)
613	Flange	Carbon	-	-

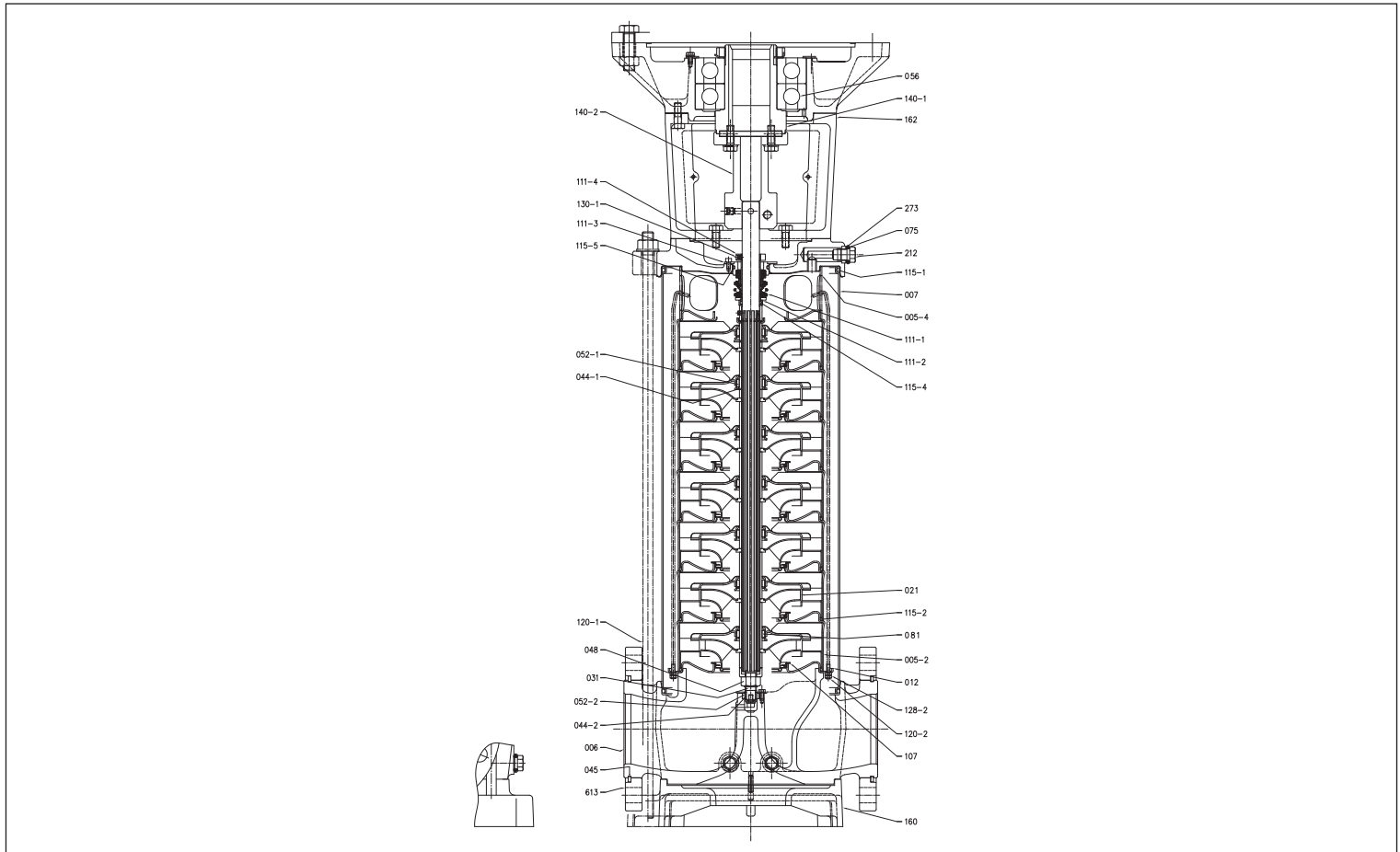
VERTICAL MULTISTAGE ELECTRIC PUMPS

in cast iron, AISI 304, AISI 316

EVM 45-64 SECTIONAL VIEW Pump without bearings



EVM 45-64 SECTIONAL VIEW Pump with individual bearing



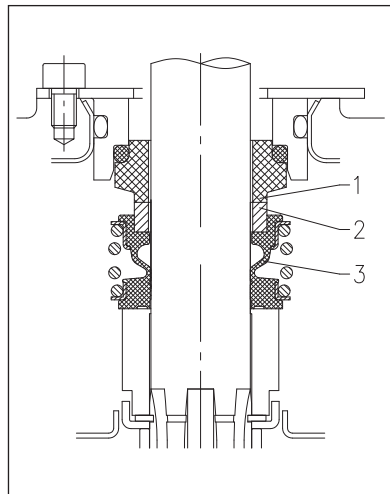
VERTICAL MULTISTAGE ELECTRIC PUMPS

in cast iron, AISI 304, AISI 316

EVM 45-64 MATERIAL TABLE

Ref.	Name	Material		
		EVMG	EVM	EVM L
005-4	Final stage	EN 1.4301(AISI 304)		EN 1.4401 (AISI 316)
006	Pump body	Cast iron EN-GJL-200-EN 1561	EN 1.4301(AISI 304)	EN 1.4401 (AISI 316)
007	External casing	EN 1.4301(AISI 304)		EN 1.4401 (AISI 316)
012	Suction cover	EN 1.4301(AISI 304)		EN 1.4401 (AISI 316)
021	Impeller	EN 1.4301(AISI 304)		EN 1.4401 (AISI 316)
031	Shaft	EN 1.4401 (AISI 316)		
044-1	Bearing	Tungsten carbide		
044-2	Bearing	Tungsten carbide		
045	Flange half-ring	EN 1.402 (AISI 420)		
048	Impeller nut	A2-70 UNI 7323 (with stainless steel insert)	A4-70 UNI 7323 (with stainless steel insert)	
051	Motor adapter	Cast iron EN-GJL-200-EN 1561		
052-2	Bearing	Tungsten carbide		
056	Bearing	-		
075	O-Ring	EPDM		FPM
081	Bush	PTFE		
107	Wear ring	PTFE/EN 1.4401 (AISI 316)		
111-1	Mechanical seal	SiC/Carbon/FPM		
111-2	Mechanical seal (cartridge)	EN 1.4301(AISI 304)		EN 1.4401 (AISI 316)
111-3	Seal seat	EN 1.4301(AISI 304)		EN 1.4401 (AISI 316)
111-4	Sealing ring	Brass OT 58 UNI 5705		EN 1.4401 (AISI 316)
115-1	O-Ring (external casing)	EPDM		FPM
115-2	O-Ring (stage)	EPDM		FPM
115-4	O-Ring (seal-holder flange)	EPDM		FPM
115-5	O-Ring (seal cover)	EPDM		FPM
120-1	Joint screw	Galvanised steel 6.8 class ISO 898/1		
120-2	Tie-rod	EN 1.4301(AISI 304)		EN 1.4401 (AISI 316)
128-2	Screw	Carbon		EN 1.4401 (AISI 316)
130-1	Screw	A2-70 UNI 7323		
140	Joint	Brass OT 58 UNI 5705		
140-1	Motor joint	Carbon		
140-2	Joint	Carbon		
160	Pump body base	-	Cast iron EN-GJL-200-EN 1561	
162	Motor support	Cast iron EN-GJL-200-EN 1561		
212	Cap	EN 1.4301(AISI 304)		EN 1.4401 (AISI 316)
273	Washer	EN 1.4301(AISI 304)		EN 1.4401 (AISI 316)
613	Flange	Carbon		

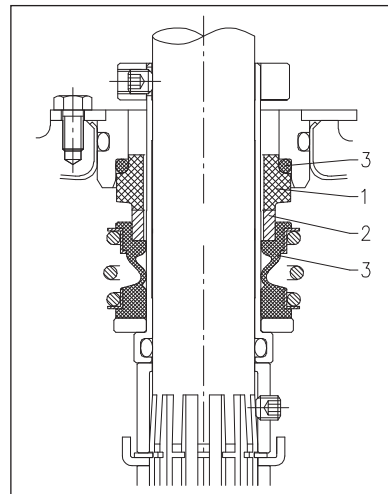
EVM 3-18 MECHANICAL SEAL



MATERIALS TABLE

Ref.	Name	Material
1	Fixed part	Carbon
2	Rotating part	SiC
3	Gasket	FPM (EPDM WRAS approved for EVMW)

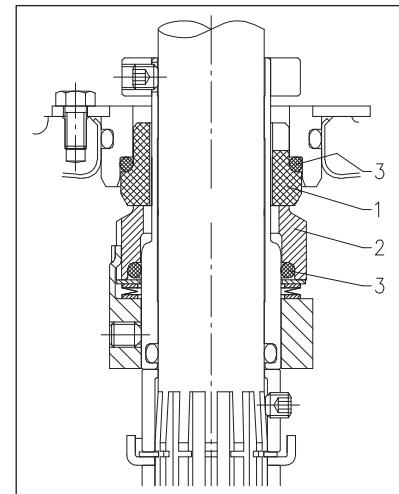
EVM 32-64 MECHANICAL SEAL WITH CARTRIDGE up to 2.5 MPA



MATERIALS TABLE

Ref.	Name	Material
1	Fixed part	Carbon
2	Rotating part	SiC
3	Gasket	FPM

EVM 32-64 MECHANICAL SEAL SEAL WITH CARTRIDGE from 2.5 to 3.0 MPA



MATERIALS TABLE

Ref.	Name	Material
1	Fixed part	Carbon
2	Rotating part	SiC
3	Gasket	FPM

VERTICAL MULTISTAGE ELECTRIC PUMPS

in cast iron, AISI 304, AISI 316

EVM 64 ELECTRIC DATA TABLE

Model	P ₂		Mec Motor	Efficiency and power factor		Absorbed Current [A]		
	[HP]	[kW]		Three phase		230V	Three phase	
				η %	cos φ		400V	690V
EVM 64 1-1F5/4.0	5,5	4	112	85,0	0,84	14,7	8,5	-
EVM 64 1-0F5/5.5	7,5	5,5	132S	85,7	0,86	-	10,8	6,2
EVM 64 2-2F5/7.5	10	7,5	132S	87,0	0,89	-	14,1	8,1
EVM 64 2-1F5/11	15	11	160M	88,7	0,84	-	21,5	12,4
EVM 64 2-0F5/11	15	11	160M	88,7	0,84	-	21,5	12,4
EVM 64 3-3F5/15	20	15	160M	89,7	0,85	-	28,5	16,5
EVM 64 3-2F5/15	20	15	160M	89,7	0,85	-	28,5	16,5
EVM 64 3-1F5/15	20	15	160M	89,7	0,85	-	28,5	16,5
EVM 64 3-0F5/18.5	25	18,5	160L	90,4	0,86	-	34,5	19,8
EVM 64 4-3F5/18.5	25	18,5	160L	90,4	0,86	-	34,5	19,8
EVM 64 4-2F5/18.5	25	18,5	160L	90,4	0,86	-	34,5	19,8
EVM 64 4-1F5/22	30	22	180	90,8	0,86	-	41,0	23,7
EVM 64 4-0F5/22	30	22	180	90,8	0,86	-	41,0	23,7
EVM 64 5-3F5/30	40	30	200	91,6	0,85	-	56,0	32,3
EVM 64 5-2F5/30	40	30	200	91,6	0,85	-	56,0	32,3
EVM 64 5-1F5/30	40	30	200	91,6	0,85	-	56,0	32,3
EVM 64 5-0F5/30	40	30	200	91,6	0,85	-	56,0	32,3
EVM 64 6-3F5/30	40	30	200	91,6	0,85	-	56,0	32,3
EVM 64 6-2F5/30	40	30	200	91,6	0,85	-	56,0	32,3
EVM 64 6-1F5/37	50	37	200	92,2	0,86	-	67,5	39,0
EVM 64 6-0F5/37	50	37	200	92,2	0,86	-	67,5	39,0
EVM 64 7-3F5/37	50	37	200	92,2	0,86	-	67,5	39,0
EVM 64 7-2F5/37	50	37	200	92,2	0,86	-	67,5	39,0
EVM 64 7-1F5/37	50	37	200	92,2	0,86	-	67,5	39,0