

**hydroo<sup>®</sup>**

**WKP**

**SUBMERSIBLE  
ELECTRIC DRIVEN  
WATER PROPULSION**





# PRESENTATION

**Hydroo Pump Industries SL is an enterprise specialised in the research, development and large-scale production of Stainless Steel centrifugal pumps. We have a vertical integration of the production processes, standing out stamping, welding and motor wiring in 6 value centers and production units. All of them with a high performance management on pump engineering and production quality.**

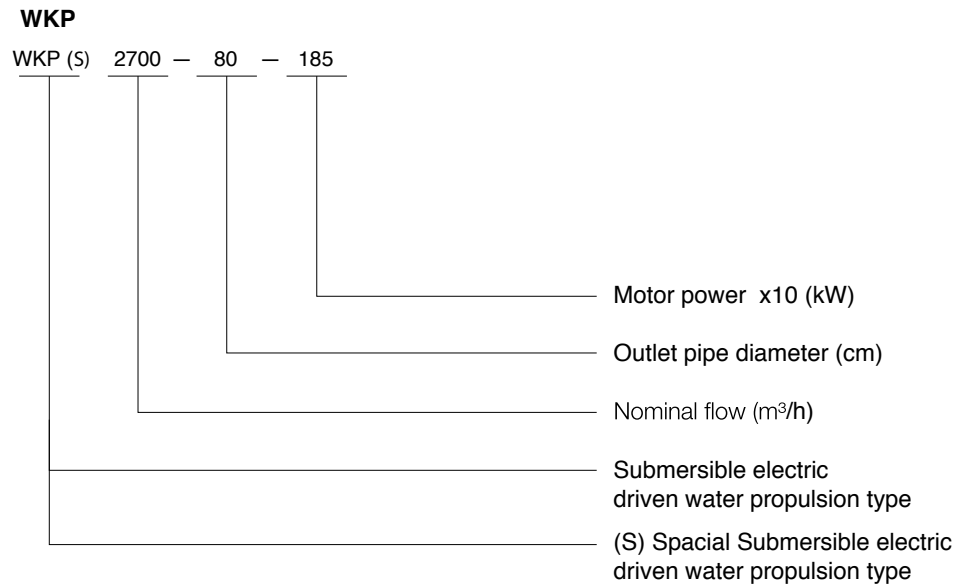
**HYDROO has set up a wide range of pumping solutions for many applications as building services, industry, irrigation and industrial process. Customers enjoy of the highest performance in booster sets and pressurization, fire-fighting sets, pumping of underground water, HVAC, drainage and sewage, utilities, desalination and OEM integrations. Versions in 50 Hz and 60 Hz are available, as well as any modification on materials, on request.**

**Global water challenges require excellence in pumping technologies**

**and close cooperation between pump designers, manufacturers and pump engineers. In order to better meet the customers' needs and requirements our company is facing an expansion of its operations worldwide, providing timely and effective services in more than 30 countries. With tight relationships in many regions, we're proud to introduce a new regional value center for Europe. We are based near Barcelona at the Girona industrial area. Hydroo is a trademark to forge excellent and successful business relationships with our value customers by means of an operative assembling unit and an application engineering unit. HYDROO trademark wants to symbolize the firm commitment for a high level service to our value partners.**

**At Hydroo we bet on a high level service to our value pump partners.**

## Definition of model

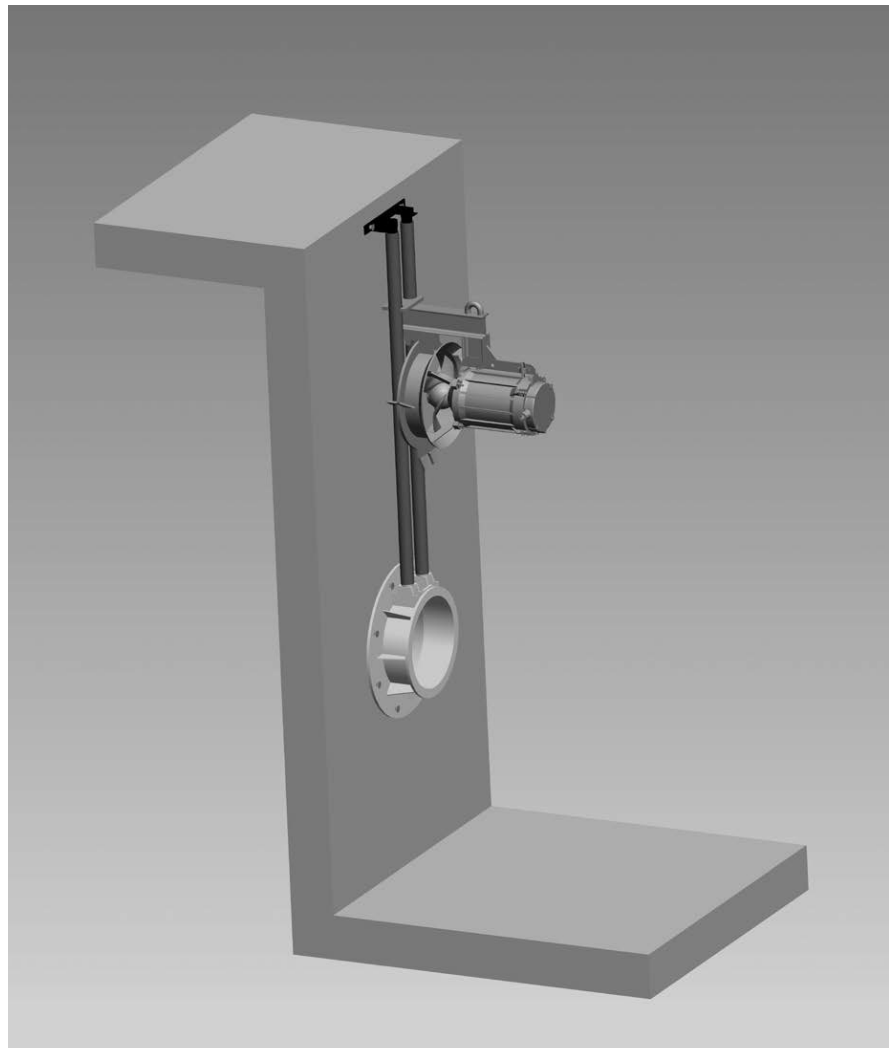


## Product application

WKP propellers are mainly used for transport of large volumes of water at very low heads. Submersible electric driven water propulsion provide a low-cost pumping and low-cost installation. Hydroo provides favorable cost-effective operation with our high-end propellers. The main applications are related to floods control, storm water management, wastewater treatment plants effluents, any application of high flow in theme parks and water parks, raw water intake, cooling applications, water discharge, water-level control in coastal areas, irrigation and process water.

Selection of propellers is made according to head and flow requirements. We have engineered a wide range of flow applications, compatible with the main scope in projects up to 5.500 m<sup>3</sup>/h.

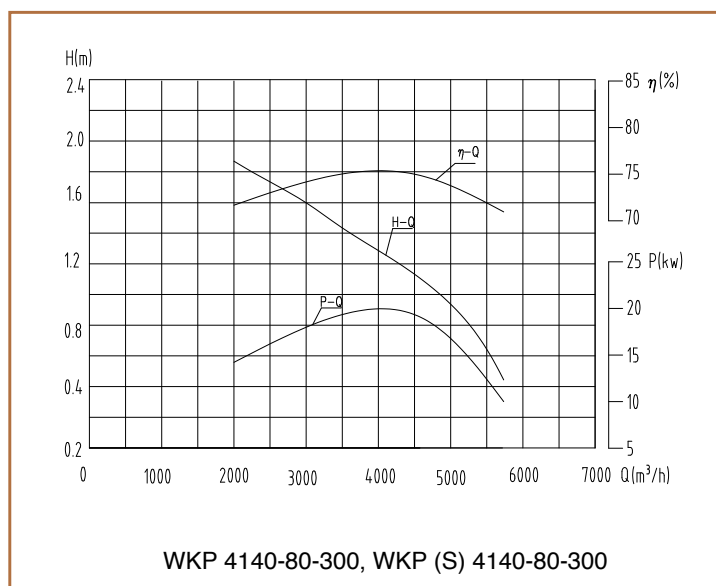
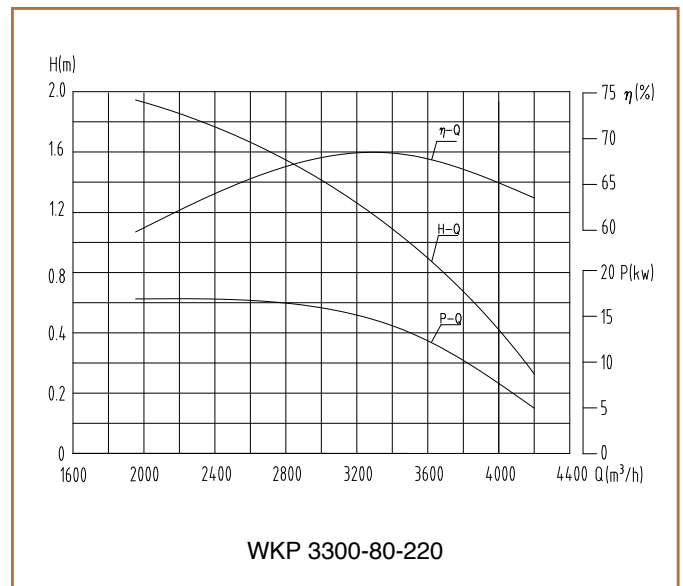
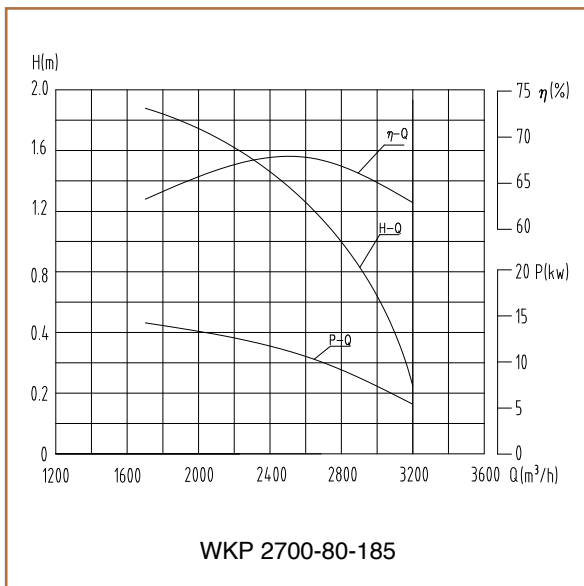
We manufacturer the full device in Stainless steel, including the rack with manual winch.



## Description

Model	Power (Kw)	Capacity (m <sup>3</sup> /h)	Head (m)	Speed (rpm)	Weight (kg)
WKP 2700-80-185	18.5	2700	1.1	370	575
WKP 3300-80-220	22	3300	1.2	370	695
WKP 4140-80-300	30	1.2	370	850	
WKP (S) 4140-80-300	30	4140	1.2	370	585

## Performance curve



# hydroo®

Be pumping partners

**HYDROO**  
**Pump Industries SL**

Carrer La Banyeta Nova, 11  
Polígon Industrial La Banyeta  
17843 Palol de Revardit  
Catalonia. Spain  
Tel. +34 972 394 654  
E-mail: [info@hydroo.com](mailto:info@hydroo.com)  
[www.hydroo.com](http://www.hydroo.com)

201751-CTL-WKP-EN  
subject to amendments

